

# SMP MALE LIMITED DETENTE HERMETIC SHROUD

SC5298

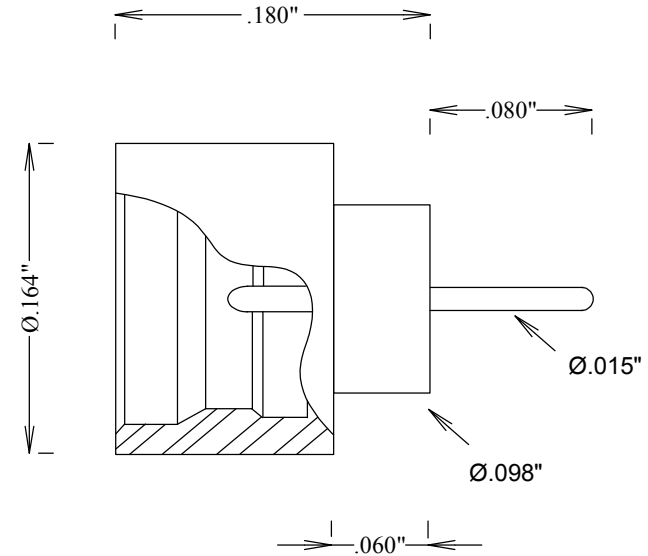
## SPECIFICATIONS

### ELECTRICAL:

FREQUENCY: 0-40 GHZ  
 IMPEDANCE: 50 OHMS  
 OP. TEMP RANGE: -55° to +125°C

### MECHANICAL:

MATERIAL: KOVAR  
 PLATING: Au PER MIL-G-45204  
 INTERFACE: SMP DESC 94007  
 LIMITED DETENTE  
 FORCE TO ENGAGE: 10.0 LBS MAX  
 FORCE TO DISENGAGE: 2.0 LBS MIN  
 ROHS COMPLIANT



**FAIRVIEW MICROWAVE INC.**

ALLEN, TX 75013 WWW.FAIRVIEWMICROWAVE.COM

TITLE

**SMP MALE LIMITED DETENTE  
HERMETIC SHROUD**

SIZE	CAGE CODE	DWG NO	REV
<b>A</b>	<b>3FKR5</b>	<b>SC5298</b>	--
SCALE	SHEET		