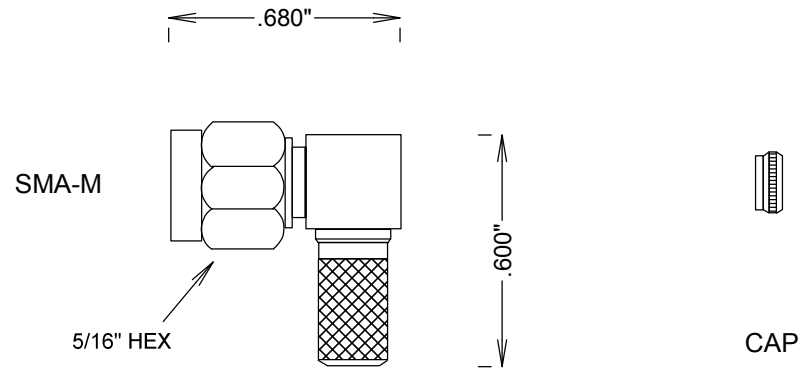


SMA-M CONN. R ANGLE RG58 CRIMP / SOLDER

SC6058, SC6059



SPECIFICATIONS

ELECTRICAL:

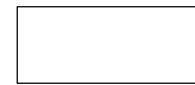
FREQUENCY: 0-12 GHZ
 VSWR 1.3:1 MAX
 IMPEDANCE: 50 OHMS
 OP. TEMP RANGE: -55C- +155C

MECHANICAL:

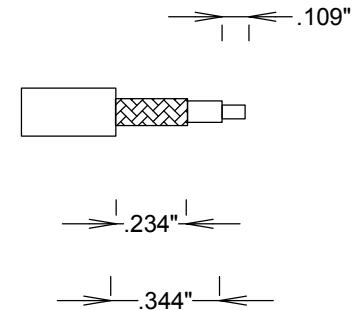
MATERIAL BODY: SC6058 Au PLATED S STEEL
 MATERIAL BODY: SC6059 PASS. S STEEL
 CENTER CONTACT: BRASS
 CONTACT PLATING: GOLD MIL-G-45204
 CAPTIVATED CONTACT
 INSULATOR: TEFLON
 INTERFACE: MIL-STD-348A

ROHS COMPLIANT

SC6058: Au PLATED
 SC6059: PASSIVATED



SLEEVE



CAPTIVATED CONTACT

STRIPPING DIMENSIONS

				FAIRVIEW MICROWAVE INC.	
				ALLEN, TX 75013 WWW.FAIRVIEWMICROWAVE.COM	
				TITLE	
				SMA-M CONN. R ANGLE RG58 CRIMP / SOLDER	
SIZE		CAGE CODE	DWG NO	REV	
A		3FKR5	SC6058, SC6059	--	
SCALE			SHEET		