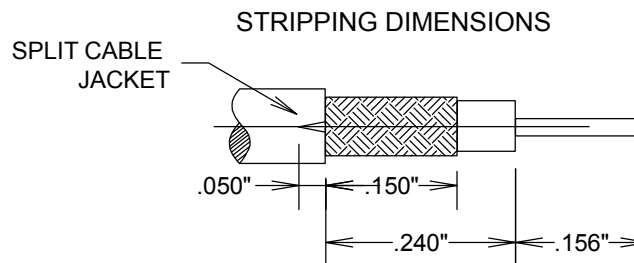
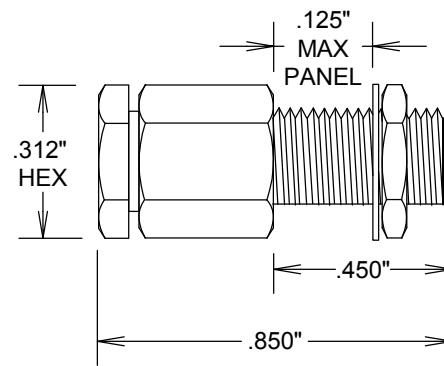


SMA BULKHEAD JACK CLAMP FOR RG55 RG58

SC7082



SPECIFICATIONS

ELECTRICAL:

FREQUENCY: 0-18 GHZ
 VSWR 1.3:1
 IMPEDANCE: 50 OHMS

MECHANICAL:

MATERIAL BODY: Au PLATED BRASS
 CENTER CONTACT: BeCu
 CONTACT PLATING: Au PER MIL-G-45204
 INSULATOR: TEFLON

ROHS COMPLIANT

FAIRVIEW MICROWAVE INC.

ALLEN, TX 75013 WWW.FAIRVIEWMICROWAVE.COM

TITLE

**SMA BULKHEAD JACK CLAMP
FOR RG55 RG58**

SIZE	CAGE CODE	DWG NO	REV
A	3FKR5	SC7082	--
SCALE		SHEET	