

MCX-PLUG .086 SR DIRECT SOLDER R ANGLE

SC9251

SPECIFICATIONS

ELECTRICAL:

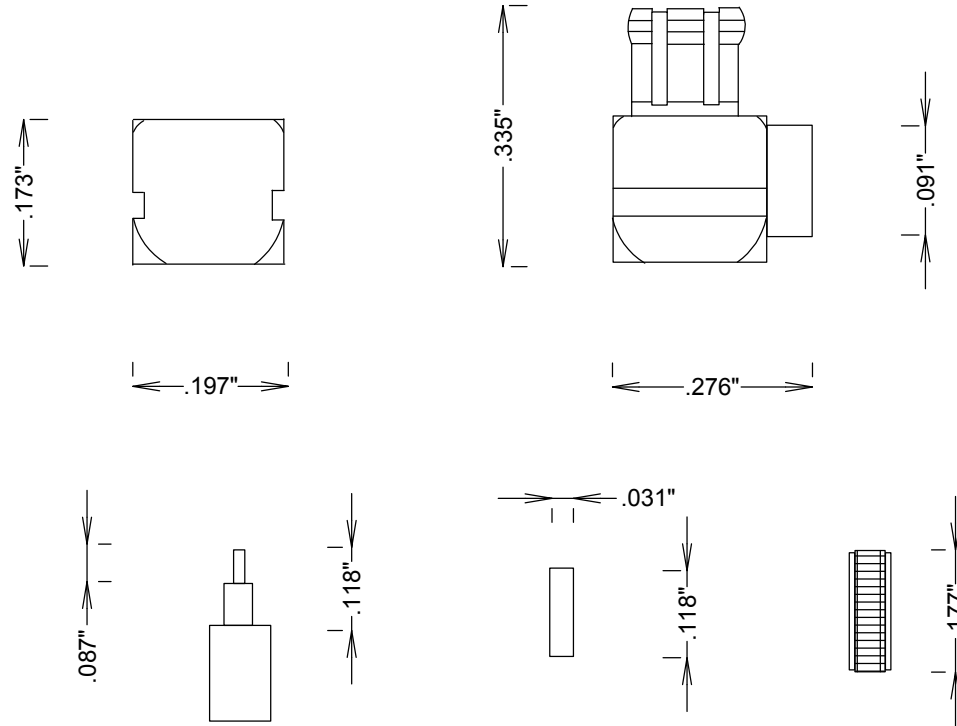
FREQUENCY: 0-6 GHZ
 VSWR 1.25:1 MAX
 IMPEDANCE: 50 OHMS
 OP. TEMP RANGE: -55C to +125C

MECHANICAL:

MATERIAL BODY: BRASS AU PLATING 3μ"
 CENTER CONTACT: BRASS
 CONTACT PLATING: Au 30μ" MIN
 INSULATOR: TEFLON

ASSEMBLY

TRIM CABLE AS SHOWN,
 INSERT CABLE INTO BODY,
 SOLDER CONNECTOR BODY TO CABLE OUTER CONDUCTOR,
 SOFT SOLDER CENTER CONTACT TO CABLE INNER CONDUCTOR,
 INSERT INSULATOR
 PRESS ON CAP



STRIPPING DIMENSIONS

INSULATOR

CAP

FAIRVIEW MICROWAVE INC.

ALLEN, TX 75013 WWW.FAIRVIEWMICROWAVE.COM

TITLE

MCX-PLUG .086 SR DIRECT SOLDER R ANGLE

SIZE	CAGE CODE	DWG NO	REV
A	3FKR5	SC9251	
SCALE	SHEET		