

7/16 DIN Female to 7/16 DIN Female Bulkhead Adapter

7/16 DIN female to 7/16 DIN female bulkhead adapter part number SM3387 from Fairview Microwave is in-stock and ships same day. This Fairview 7/16 DIN to 7/16 DIN adapter has a female to female gender configuration. SM3387 7/16 DIN female to 7/16 DIN female adapter operates to 6 GHz. Our RF 7/16 DIN to 7/16 DIN bulkhead adapter allows designers to create external connections on their product enclosures, and can be used in a variety of other rack mount and panel mount applications. The Fairview Microwave RF adapter provides excellent VSWR of 1.15:1 maximum.

RF adapters can be used to enable connections between two connector types that would otherwise not mate. Certain RF adapter configurations can also be used to protect connectors on expensive equipment where the number of connect and disconnect cycles is high. An RF, microwave, or millimeter wave adapter is connected to the equipment and the commonly changed connection is made with the adapter which can be easily replaced when it wears out after high usage; such adapters are referred to as connector savers. Fairview Microwave also offers bulkhead, panel mount, hermetically sealed, reverse polarity, and isolated ground adapter varieties to serve all of your RF, microwave and millimeter wave needs.

Electrical Specifications

| Description | Min | Typ | Max | Units |
|------------------------|-----|-----|--------|-------|
| Frequency Range | DC | | 6 | GHz |
| VSWR | | | 1.15:1 | |
| Operating Voltage (AC) | | | 2,700 | Vrms |
| DWV (AC) | | | 4,000 | Vrms |

Electrical Specification Notes:
 Values at 25°C, sea level.

Mechanical Specifications

| | |
|-------------|----------------------|
| Size | |
| Length | 1.93 in [49.02 mm] |
| Width | 1.76 in [44.7 mm] |
| Weight | 0.4859 lbs [220.4 g] |

| Description | Connector 1 | Connector 2 |
|---------------|-----------------|-----------------|
| Type | 7/16 DIN Female | 7/16 DIN Female |
| Polarity | Standard | Standard |
| Mating Cycles | 500 | 500 |



Configuration:

- 7/16 DIN Female Connector 1
- 7/16 DIN Female Connector 2
- 50 Ohms
- Straight Body Geometry
- Bulkhead Mount Method

Features:

- VSWR of 1.15:1 max up to 6 GHz
- 5 µm minimum contact plating
- Silver Plated Beryllium Copper Contact

Applications:

- General Purpose Test
- Rack Mounted Equipment

Fairview Microwave
 1130 Junction Dr. #100
 Allen, TX 75013
 Tel: 1-800-715-4396 / (972) 649-6678
 Fax: (972) 649-6689
www.fairviewmicrowave.com
sales@fairviewmicrowave.com

Material Specifications

| Description | Connector 1 | Connector 2 |
|------------------------|------------------|------------------|
| Type | 7/16 DIN Female | 7/16 DIN Female |
| Contact Material | Beryllium Copper | Beryllium Copper |
| Contact Plating | Silver | Silver |
| Contact Plating Spec. | 5 µm minimum | 5 µm minimum |
| Insulation Material | PTFE | PTFE |
| Outer Contact Material | Brass | Brass |
| Outer Contact Plating | Tri-Metal | Tri-Metal |

Environmental Specifications

Temperature

Operating Range

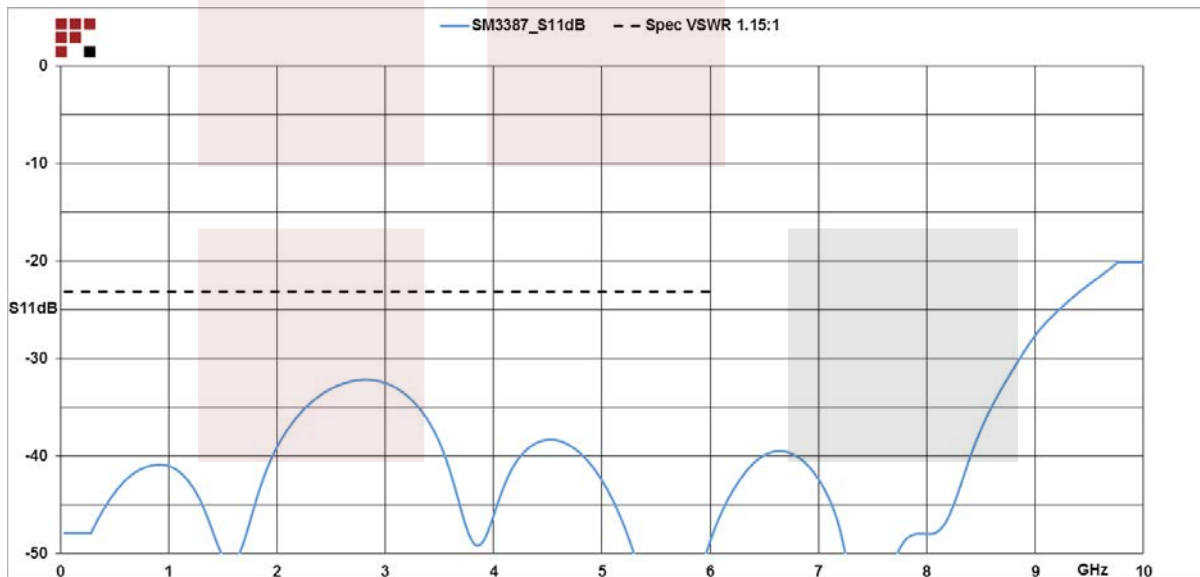
-40 to +120 deg C

Compliance Certifications (see [product page](#) for current document)

Plotted and Other Data

Notes:

Typical Performance Data



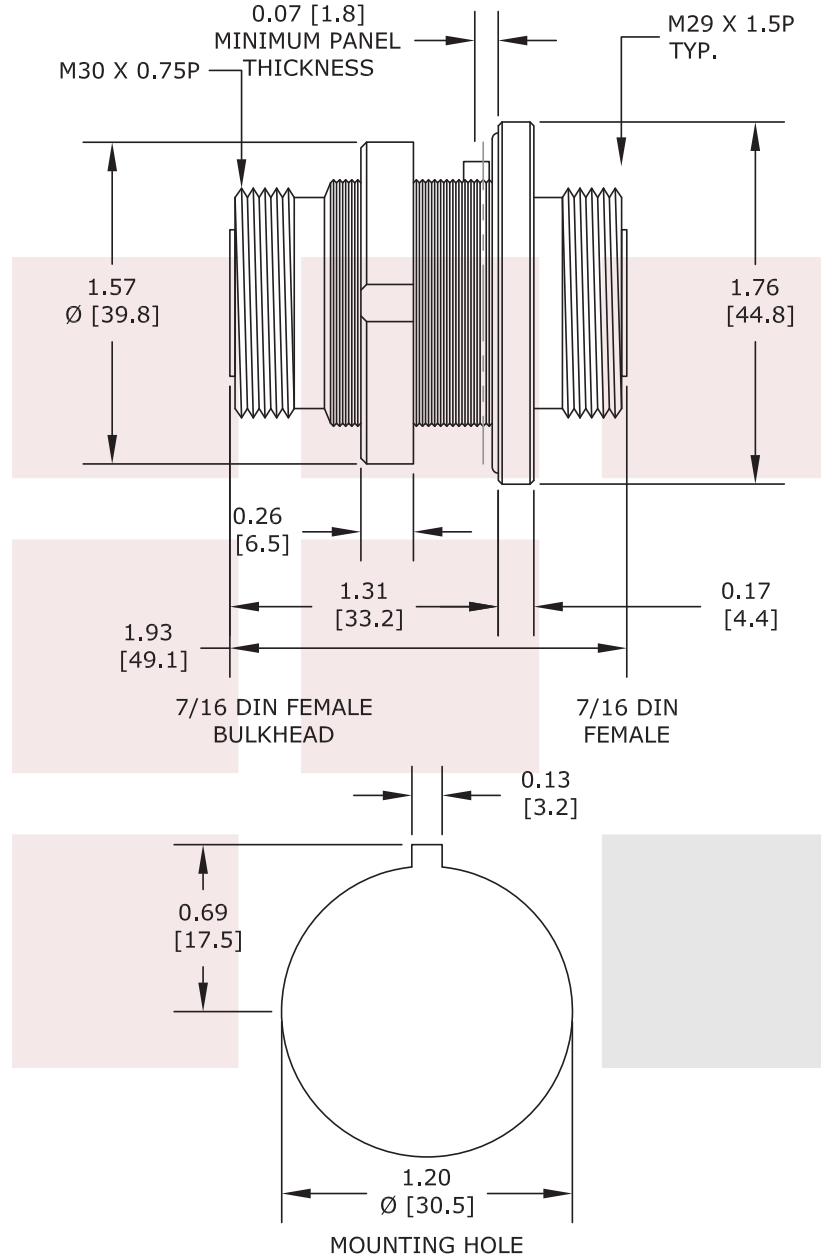
7/16 DIN Female to 7/16 DIN Female Bulkhead Adapter from Fairview Microwave is in-stock and available to ship same-day. All of our RF/microwave products are available off-the-shelf from our ISO 9001:2008 certified facilities in Allen, Texas. Fairview Microwave is RF on-demand.

For additional information on this product, please click the following link: [7/16 DIN Female to 7/16 DIN Female Bulkhead Adapter SM3387](#)

URL: <https://www.fairviewmicrowave.com/7-16-female-7-16-female-bulkhead-adapter-sm3387-p.aspx>

The information contained in this document is accurate to the best of our knowledge and representative of the part described herein. It may be necessary to make modifications to the part and/or the documentation of the part, in order to implement improvements. Fairview Microwave reserves the right to make such changes as required. Unless otherwise stated, all specifications are nominal. Fairview Microwave does not make any representation or warranty regarding the suitability of the part described herein for any particular purpose, and Fairview Microwave does not assume any liability arising out of the use of any part or documentation.





| | | | | | |
|---|--------|---|---|--------------------|-----|
| FAIRVIEW MICROWAVE INC. ALLEN, TX 75013 WWW.FAIRVIEWMICROWAVE.COM | | NOTES: 1. UNLESS OTHERWISE SPECIFIED ALL DIMENSIONS ARE NOMINAL. 2. ALL SPECIFICATIONS ARE SUBJECT TO CHANGE WITHOUT NOTICE AT ANY TIME. 3. DIMENSIONS ARE IN INCHES [mm]. | | | |
| TITLE 7/16 DIN Female to 7/16 DIN Female Bulkhead Adapter | | DWG NO SM3387 | | CAGE CODE 3FKR5 | |
| CAD FILE | 120715 | SHEET | | SCALE | N/A |
| | | SIZE | A | 150 | |