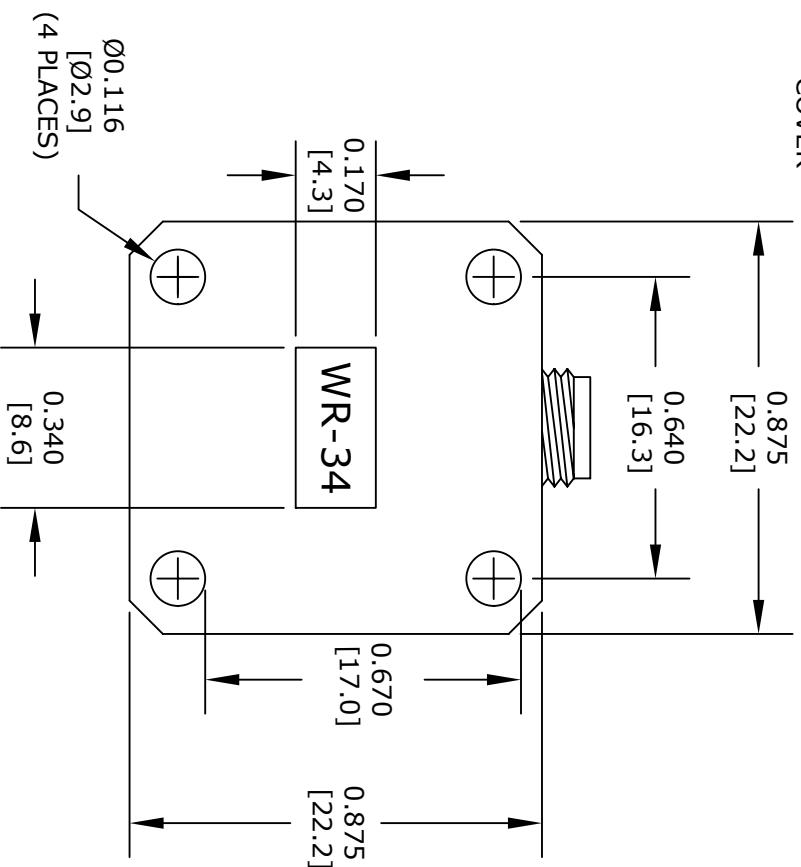


LABEL PRINT:
FAIRVIEW MW
34AC206 WR-34

SQUARE
COVER



STANDARD TOLERANCES

.X ±0.2

.XX ±0.1

.XXX ±0.05

*STANDARD TOLERANCES APPLY ONLY TO DIMENSIONS IN INCHES

FAIRVIEW MICROWAVE INC.

ALLEN, TX 75013 WWW.FAIRVIEWMICROWAVE.COM

NOTES:
1. UNLESS OTHERWISE SPECIFIED ALL DIMENSIONS ARE NOMINAL.
2. ALL SPECIFICATIONS ARE SUBJECT TO CHANGE WITHOUT NOTICE AT ANY TIME.
3. DIMENSIONS ARE IN INCHES [mm].

TITLE

DWG NO

34AC206

CAGE CODE

3FKR5

CAD FILE

072116

SHEET

SCALE N/A

SIZE A

3045