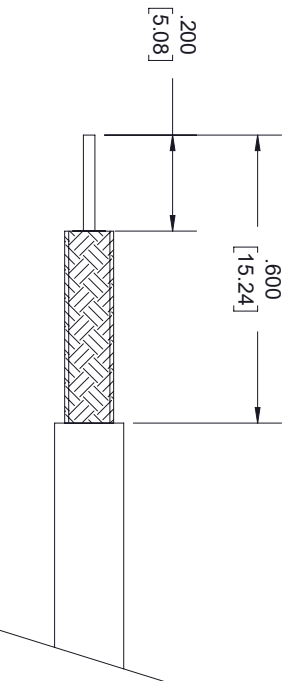
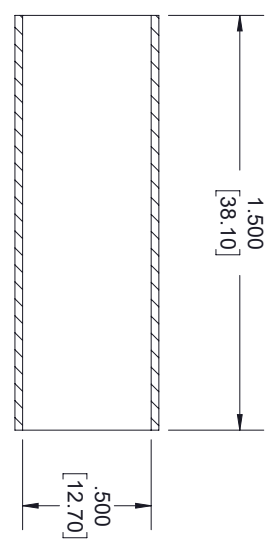
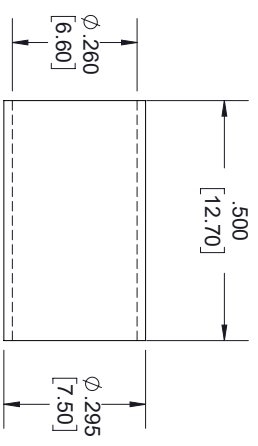
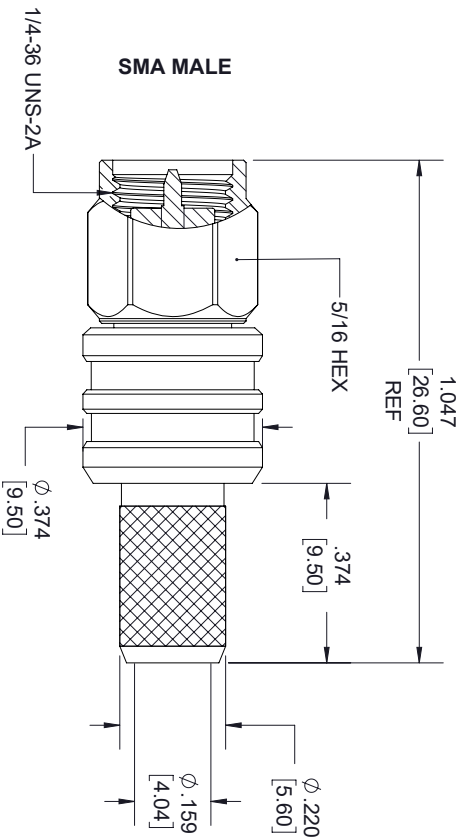
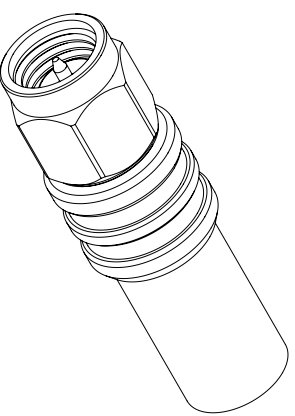


REVISIONS			
REV.	DESCRIPTION	DATE	APPROVED
A	FOR EZ-240-SM-X	1/8/2020	S ELLIS



### STRIPPING DIMENSIONS

- NOTES:
- CABLE ATTACHMENT:
    - OUTER: CRIMP.
    - INNER: NON-SOLDER.
  - CRIMP SIZE REQUIRED:
    - FERRULE: .255 [6.48] HEX. CRIMP TOOL
    - CONTACT: NON-SOLDER.



THESE COMMODITIES, TECHNOLOGY OR SOFTWARE WERE EXPORTED FROM THE UNITED STATES IN ACCORDANCE WITH THE EXPORT ADMINISTRATION REGULATIONS, DIVERSION CONTRARY TO U.S. LAW PROHIBITED.



TITLE

UNLESS OTHERWISE SPECIFIED LEADING DIMENSIONS ARE INCHES				THIRD-ANGLE PROJECTION	
DIMENSIONS IN [ ] ARE MILLIMETERS					
TOLERANCES:				THE INFORMATION AND DESIGN IN THIS DOCUMENT IS THE PROPERTY OF FAIRVIEW MICROWAVE CORPORATION. ALL RIGHTS RESERVED.	
CABLE LENGTH (L) TOLERANCES:		CABLE LENGTH (L) TOLERANCES:		SHEET 1 OF 1	
X = ±.2 [5.08]	FRACTIONS ±.1/32	L ≤ 12 [305] = +1 [25] / -0	12 [305] < L ≤ 60 [1524] = +2 [51] / -0	SCALE N/A	
XX = ±.02 [.51]	ANGLES ± 1°	60 [1524] < L ≤ 120 [3048] = +4 [102] / -0	120 [3048] < L ≤ 300 [7620] = +6 [152] / -0	REV A	
XXX = ±.005 [.13]		300 [7620] < L = +5%L / -0		ITEM NO. EZ-240-SM-X	
ALL DIMENSIONS SHOWN ARE FOR REFERENCE ONLY.				DRAWN BY K.DANG	
SIZE A	GAGE CODE 3FKRS	ITEM NO.	REV		