

6

5

4

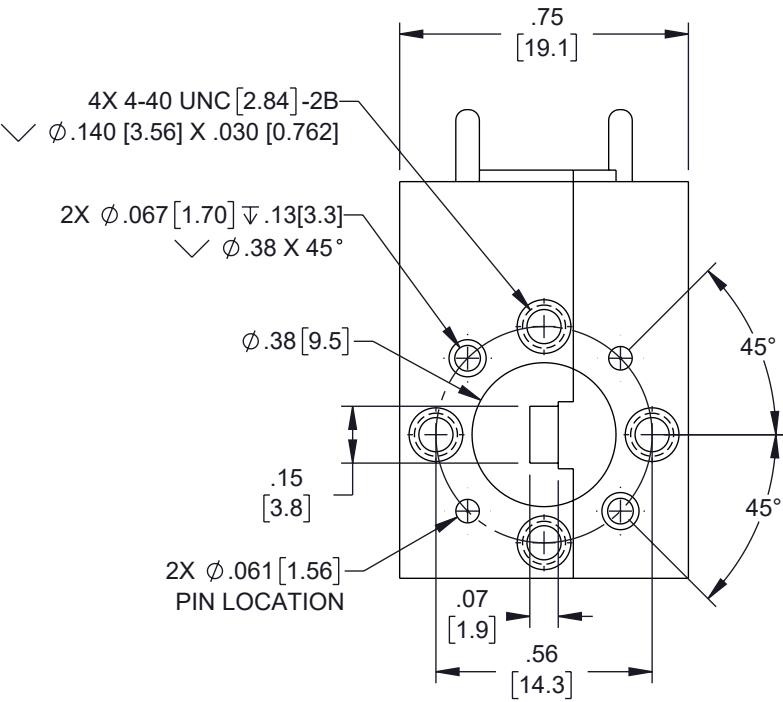
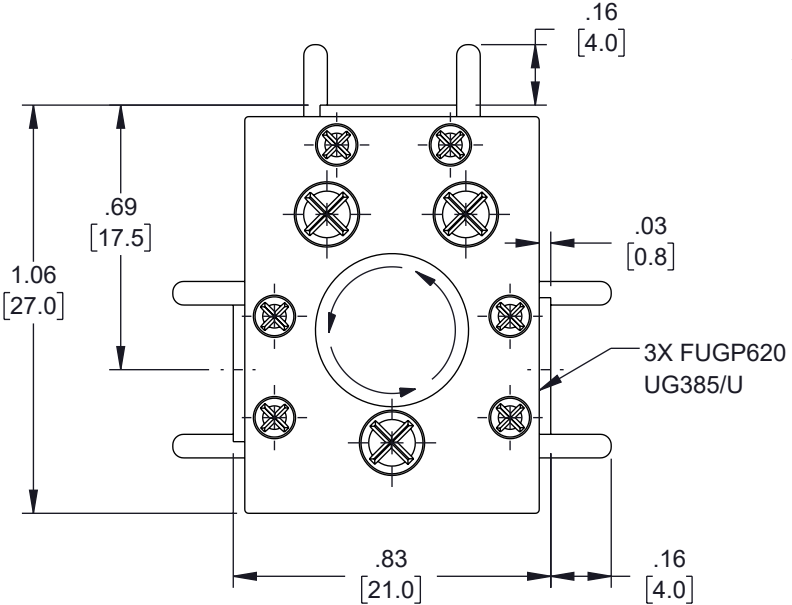
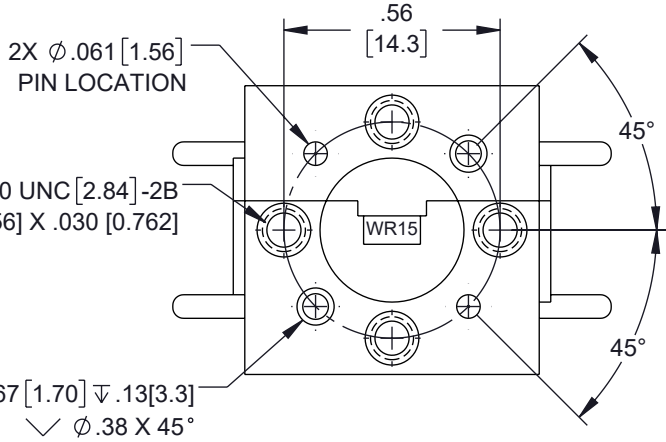
3

2

1

REVISION

ZONE	REV	DESCRIPTION	DATE	CHANGED BY	APPROVED
	A	INITIAL RELEASE	02/27/2023	DMAY	SPONG



UNLESS OTHERWISE SPECIFIED LEADING DIMENSIONS ARE INCHES DIMENSIONS IN [ ] ARE MILLIMETERS

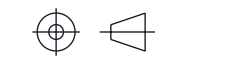
TOLERANCES:  
.X =  $\pm$ .2 [5]      FRACTIONS  
.XX =  $\pm$ .02 [.5]       $\pm$  1/32  
.XXX =  $\pm$ .005 [.13]      ANGLES  $\pm$  1°

CABLE LENGTH TOLERANCES:  
 $\leq$ 12 [305] = +1 [25] / -0  
>12 [305]  $\leq$  60 [1524] = +2 [51] / -0  
>60 [1524]  $\leq$  120 [3048] = +4 [102] / -0  
>120 [3048]  $\leq$  300 [7620] = +6 [152] / -0  
>300 [7620] = +5% / -0

ALL DIMENSIONS ARE FOR REFERENCE ONLY AND SUBJECT TO CHANGE WITHOUT NOTICE.



Website: [www.FairviewMicrowave.com](http://www.FairviewMicrowave.com)  
Phone: 1.800.715.4396 | 1.972.649.6678



INTERPRET ALL DIMENSIONS AND TOLERANCES PER ASME Y14.5

SCALE NONE      SHEET 1 OF 1

DESCRIPTION  
WR-15 WAVEGUIDE CIRCULATOR, 61~65GHZ

SIZE A	CAGE CODE 3FKR5	DRAWN BY DMAY	ITEM NO. FM-W15CR001	REV A
-----------	--------------------	------------------	-------------------------	----------

THE INFORMATION CONTAINED IN THIS DRAWING IS THE SOLE PROPERTY OF INFINITE ELECTRONICS, INC. ANY REPRODUCTION IN PART OR WHOLE WITHOUT THE WRITTEN PERMISSION OF INFINITE ELECTRONICS, INC. IS PROHIBITED. THESE COMMODITIES, TECHNOLOGY OR SOFTWARE WERE EXPORTED FROM THE UNITED STATES IN ACCORDANCE WITH THE EXPORT ADMINISTRATION REGULATIONS. DIVERSION CONTRARY TO U.S. LAW PROHIBITED.

6

5

4

3

2

1