

6

5

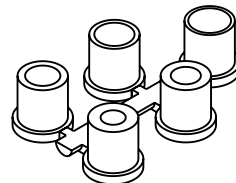
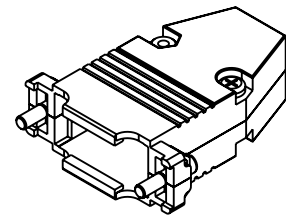
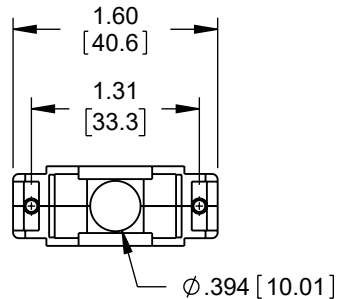
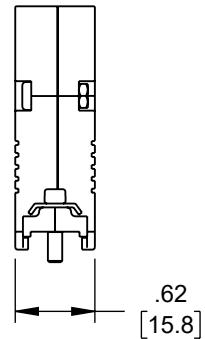
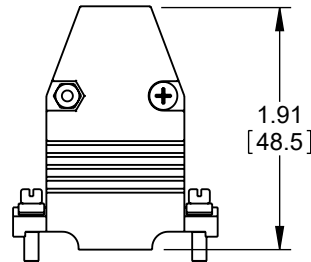
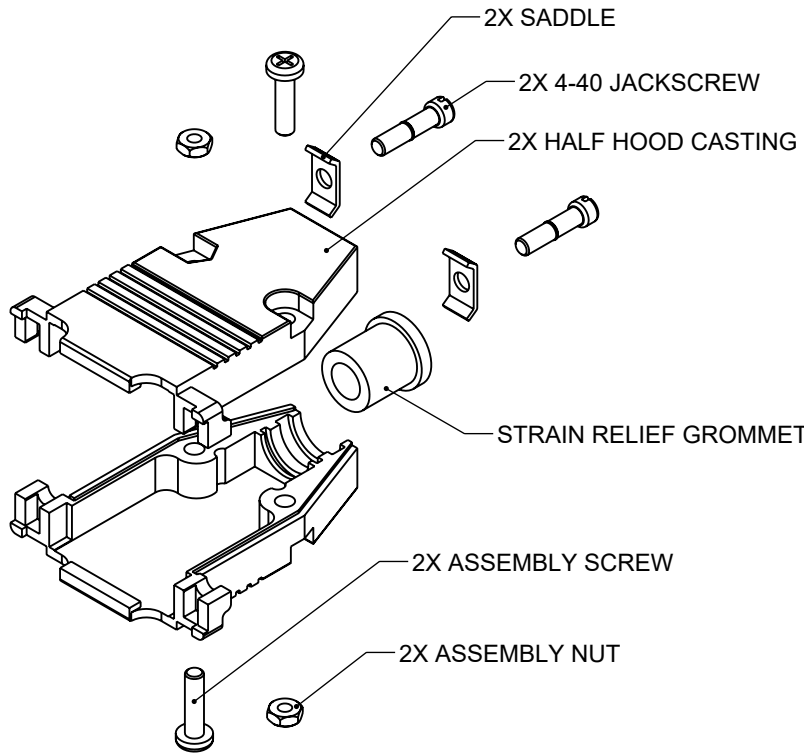
4

3

2

1

REVISION					
ZONE	REV.	DESCRIPTION	DATE	CHANGED BY	APPROVED BY
	A	INITIAL RELEASE	09/08/2023	BPUCHASKI	GUTTADAURO



**NOTES:**

**MATERIALS:**

- HOOD: DIE-CAST ZINC ALLOY
- JACKSCREW: STEEL OR STAINLESS STEEL
- SADDLE & ASSEMBLY HARDWARE: STEEL OR STAINLESS STEEL
- STRAIN RELIEF GROMMETS: PVC, BLACK

**FINISH:**

- HOOD: NICKEL PLATED, MATTE FINISH ON MAJOR SURFACES
- JACKSCREW: NICKEL PLATED; PASSIVATE IS OPTION FOR STAINLESS STEEL
- SADDLE & ASSEMBLY HARDWARE: NICKEL PLATED; PASSIVATE IS OPTION FOR STAINLESS STEEL

**MISCELLANEOUS:**

- INTENDED FOR USE WITH 15 PIN STANDARD AND 26 PIN HIGH DENSITY D-SUBMINIATURE CONNECTORS.
- SUPPLIED WITH 5 STRAIN RELIEF GROMMETS FOR CABLING HAVING DIAMETERS RANGING FROM .190 TO .335 INCH.

**REGULATORY COMPLIANCE:**

EU RoHS DIRECTIVE (MOST RECENT RELEASED VERSION)

THE INFORMATION CONTAINED IN THIS DRAWING IS THE SOLE PROPERTY OF INFINITE ELECTRONICS, INC. ANY REPRODUCTION IN PART OR WHOLE WITHOUT THE WRITTEN PERMISSION OF INFINITE ELECTRONICS, INC. IS PROHIBITED. THESE COMMODITIES, TECHNOLOGY OR SOFTWARE WERE EXPORTED FROM THE UNITED STATES IN ACCORDANCE WITH THE EXPORT ADMINISTRATION REGULATIONS. DIVERSION CONTRARY TO U.S. LAW PROHIBITED.

UNLESS OTHERWISE SPECIFIED  
LEADING DIMENSIONS ARE INCHES  
DIMENSIONS IN [ ] ARE MILLIMETERS

TOLERANCES:

.X = ±.2 [5]	FRACTIONS
.XX = ±.02 [0.5]	± 1/32
.XXX = ±.005 [0.13]	ANGLES ± 1°

CABLE LENGTH TOLERANCES:

≤12 [305]	≤1 [25]	/ -0
>12 [305]	≤60 [1524]	= +2 [51] / -0
>60 [1524]	≤120 [3048]	= +4 [102] / -0
>120 [3048]	≤300 [7620]	= +6 [152] / -0
>300 [7620]		= +5% / -0

ALL DIMENSIONS ARE FOR REFERENCE ONLY  
AND SUBJECT TO CHANGE WITHOUT NOTICE.  
UN-DIMENSIONED/NON-CRITICAL FEATURES  
MAY VARY IN SIZE AND LOCATION  
COLORS MAY VARY



Website: [www.FairviewMicrowave.com](http://www.FairviewMicrowave.com)  
Phone: 1.800.715.4396 | 1.972.649.6678

INTERPRET ALL DIMENSIONS AND TOLERANCES PER ASME Y14.5	
SCALE	SHEET
NONE	1 OF 1

DESCRIPTION
ASSEMBLED D-SUB HOOD KIT, DB15/HD26 METAL

SIZE	CAGE CODE	DRAWN BY	ITEM NO.	REV
A	3FKR5	BPUCHASKI	FM1030	A

6

5

4

3

2

1