

LABEL

FAIRVIEW MICROWAVE

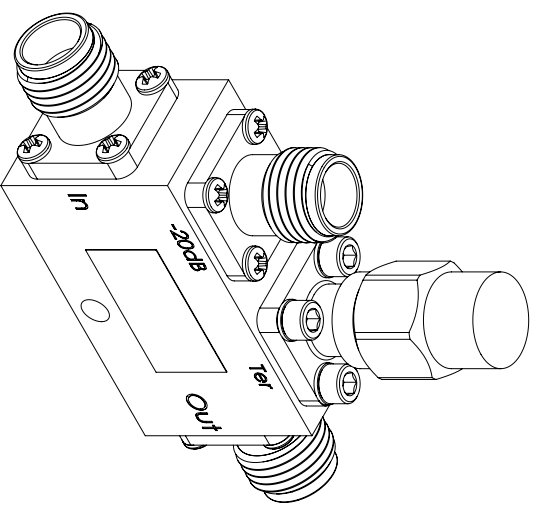
FM2CP1135-20

D/C: XXXX

STANDARD TOLERANCES

.X ±0.2
 .XX ±0.01
 .XXX ±0.005

*STANDARD TOLERANCES APPLY ONLY TO DIMENSIONS IN INCHES



NOTES:
 1. UNLESS OTHERWISE SPECIFIED ALL DIMENSIONS ARE NOMINAL.
 2. ALL SPECIFICATIONS ARE SUBJECT TO CHANGE WITHOUT NOTICE AT ANY TIME.
 3. DIMENSIONS ARE IN INCHES [mm].

TITLE	
FM2CP1135-20	

DWG NO	FM2CP1135-20	CAGE CODE	3FKR5
CAD FILE	04/17/19	SHEET	1 OF 1
SCALE	N/A	SIZE	A
			7361