

6

5

4

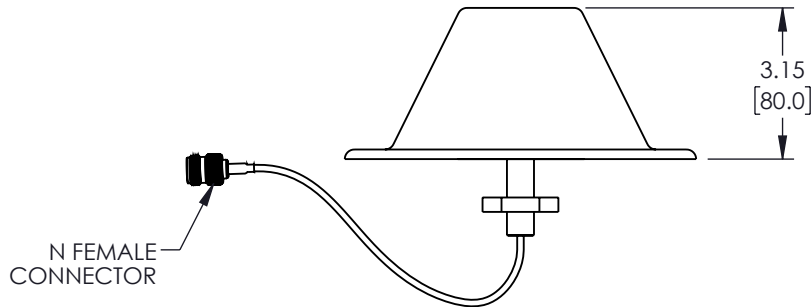
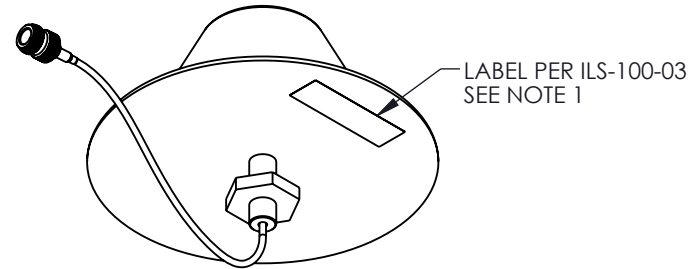
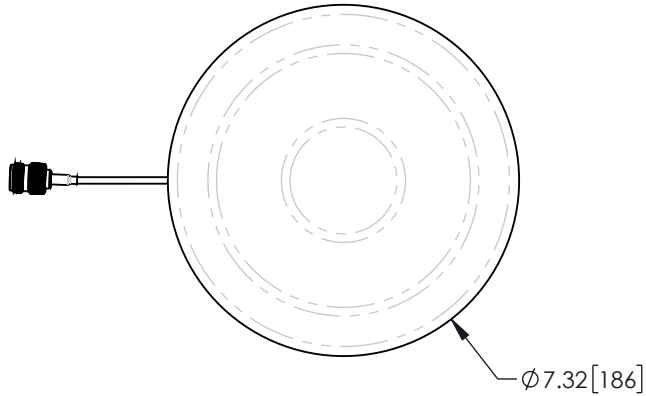
3

2

1

REVISION

ZONE	REV.	DESCRIPTION	DATE	CHANGED BY	APPROVED
	A	INITIAL RELEASE	01/13/2023	DMAY	KHIETPAS



ASSEMBLY PROCEDURES:

1. DRILL A HOLE ON THE CEILING WITH DIMENSIONS 1.3" - 1.38"
2. PUT THE CABLE OF THE ANTENNA THROUGH THE HOLE.
3. FASTEN ANTENNA WITH SCREW KITS, AND MAKE SURE ANTENNA IS SECURELY MOUNTED ON THE CEILING.

**NOTE:

DIMENSIONS OF THE HOLE ON THE CEILING MUST BE LARGER THEN THE SIZE OF THE ANTENNA CONNECTOR PARTS, AND THE PLATE OF THE ANTENNA MUST BE FLATTENED AGAINST THE CEILING, OTHERWISE THE ANTENNA CANNOT PERFORM EFFECTIVELY.

NOTES:

1. LABEL PER ILS-100-03. FOR INTERNAL USE ONLY. LABEL LOCATION FOR REFERENCE ONLY.

UNLESS OTHERWISE SPECIFIED
LEADING DIMENSIONS ARE INCHES
DIMENSIONS IN [] ARE MILLIMETERS

TOLERANCES:

.X = ±.2 [5]	FRACTIONS
.XX = ±.02 [.5]	± 1/32
.XXX = ±.005 [.13]	ANGLES ± 1°

CABLE LENGTH TOLERANCES:

>12 [305] = +1 [25] / -0
>12 [305] ≤ 60 [1524] = +2 [51] / -0
>60 [1524] ≤ 120 [3048] = +4 [102] / -0
>120 [3048] ≤ 300 [7620] = +6 [152] / -0
>300 [7620] = +5% / -0

ALL DIMENSIONS ARE FOR REFERENCE ONLY
AND SUBJECT TO CHANGE WITHOUT NOTICE.



Website: www.FairviewMicrowave.com
Phone: 1.800.715.4396 | 1.972.649.6678



INTERPRET ALL DIMENSIONS AND TOLERANCES PER ASME Y14.5

SCALE	SHEET
NONE	1 OF 1

DESCRIPTION
DOME DUAL BAND ANTENNA OPERATES FROM 806 MHz TO 2.5 GHz WITH A NOMINAL 3 dBi GAIN N FEMALE INPUT CONNECTOR

SIZE	CAGE CODE	DRAWN BY	ITEM NO.	REV
A	3FKR5	DMAY	FM51096	A

THE INFORMATION CONTAINED IN THIS DRAWING IS THE SOLE PROPERTY OF INFINITE ELECTRONICS, INC. ANY REPRODUCTION IN PART OR WHOLE WITHOUT THE WRITTEN PERMISSION OF INFINITE ELECTRONICS, INC. IS PROHIBITED. THESE COMMODITIES, TECHNOLOGY OR SOFTWARE WERE EXPORTED FROM THE UNITED STATES IN ACCORDANCE WITH THE EXPORT ADMINISTRATION REGULATIONS. DIVERSION CONTRARY TO U.S. LAW PROHIBITED.

6

5

4

3

2

1