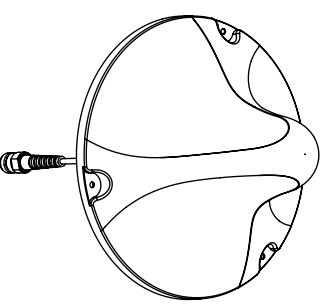
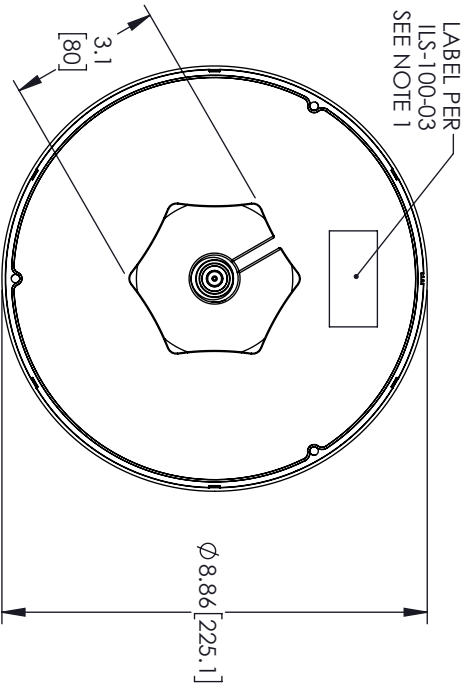
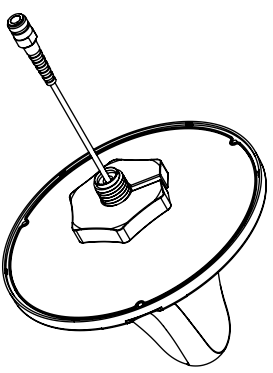
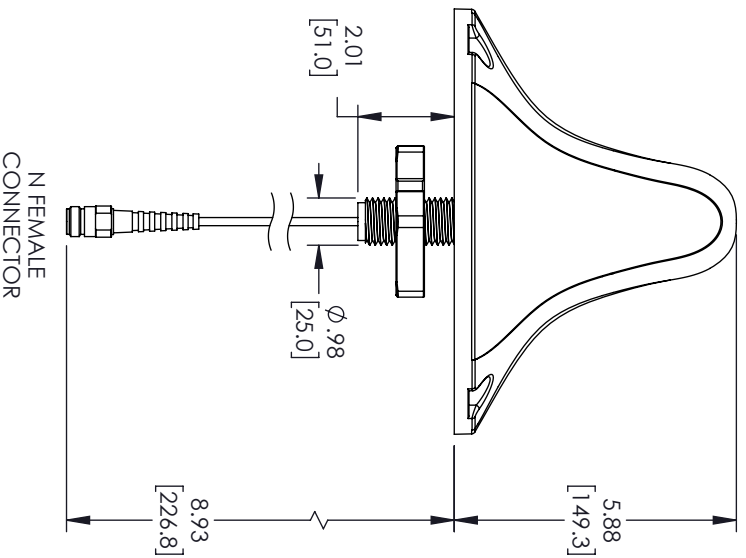


| REVISIONS |                 |            |          |
|-----------|-----------------|------------|----------|
| REV.      | DESCRIPTION     | DATE       | APPROVED |
| A         | INITIAL RELEASE | 04/21/2021 | KHIETPAS |



- NOTES:
1. LABEL PER ILS-100-03 (FOR INTERNAL REFERENCE ONLY)  
LABEL LOCATION FOR REFERENCE ONLY.

THESE COMMODITIES, TECHNOLOGY OR SOFTWARE WERE EXPORTED FROM THE UNITED STATES IN ACCORDANCE WITH THE EXPORT ADMINISTRATION REGULATIONS, DIVERSION CONTRARY TO U.S. LAW PROHIBITED.



TITLE

|   |           |             |          |   |     |
|---|-----------|-------------|----------|---|-----|
| UNLESS OTHERWISE SPECIFIED LEADING DIMENSIONS ARE INCHES<br>DIMENSIONS IN [ ] ARE MILLIMETERS |           |             |          | THIRD-ANGLE PROJECTION                      |     |
| TOLERANCES:   |           |             |          |   |     |
| CABLE LENGTH (L) TOLERANCES:  |           |             |          |   |     |
| X = ±.2 [5.08]  |           | FRACTIONS   |          | L ± 1/2 (806) = +1 [25] / -0                |     |
| XX = ±.02 [ .51]  |           | ± 1/32      |          | 12 [305] < L ≤ 60 [1524] = +2 [51] / -0     |     |
| XXX = ±.005 [ .13]  |           | ANGLES ± 1° |          | 60 [1524] < L ≤ 120 [3048] = +4 [102] / -0  |     |
|   |           |             |          | 120 [3048] < L ≤ 300 [7620] = +6 [152] / -0 |     |
|   |           |             |          | 300 [7620] < L = +5%L / -0                  |     |
| ALL DIMENSIONS SHOWN ARE FOR REFERENCE ONLY.  |           |             |          |   |     |
| SIZE  | GAGE CODE | DRAWN BY    | ITEM NO. | SCALE                                       | REV |
| A   | 3FKRS     | DZINN       | FMS1219  | N/A   | A   |