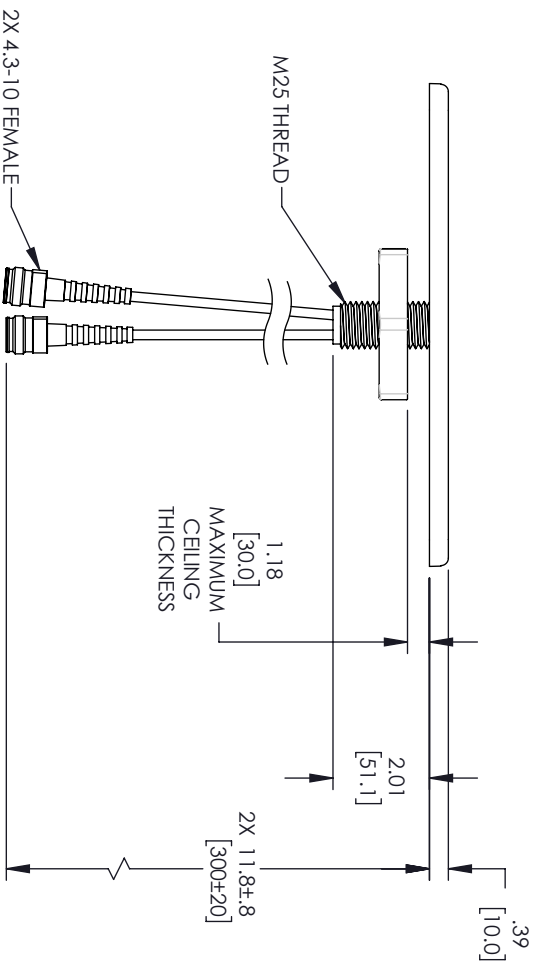
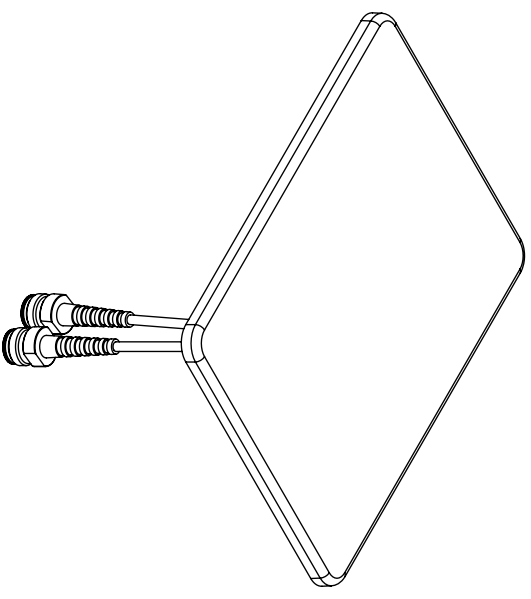
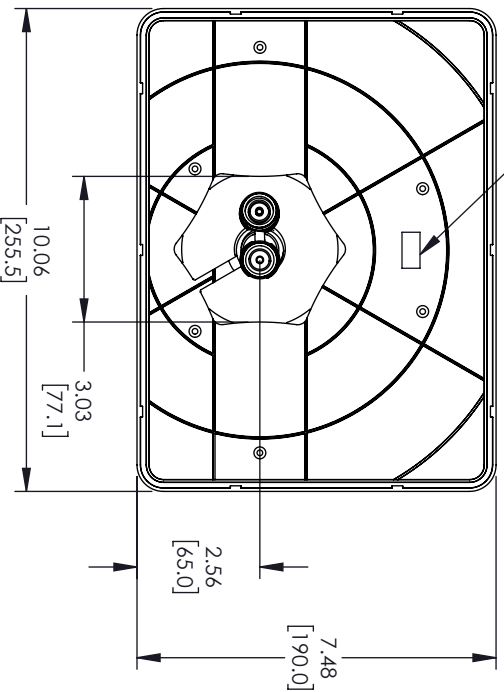


REVISIONS			
REV.	DESCRIPTION	DATE	APPROVED
A	INITIAL RELEASE	06/21/2022	KHIETPAS



LABEL PER ILS-100-03
SEE NOTE 1



NOTES:

1. LABEL PER ILS-100-03 (FOR INTERNAL REFERENCE ONLY). LABEL LOCATION FOR REFERENCE ONLY.

THESE COMMODITIES, TECHNOLOGY OR SOFTWARE WERE EXPORTED FROM THE UNITED STATES IN ACCORDANCE WITH THE EXPORT ADMINISTRATION REGULATIONS, DIVERSION CONTRARY TO U.S. LAW PROHIBITED.



TITLE

UNLESS OTHERWISE SPECIFIED LEADING DIMENSIONS ARE INCHES				THIRD-ANGLE PROJECTION	
DIMENSIONS IN [] ARE MILLIMETERS					
TOLERANCES:				THE INFORMATION AND DESIGN IN THIS DOCUMENT IS THE PROPERTY OF FAIRVIEW MICROWAVE CORPORATION. ALL RIGHTS RESERVED.	
CABLE LENGTH (L) TOLERANCES:		L ± 1/2 (806) = +1/2 (51) / -0		SHEET 1 OF 1	
L ± 1/2 (806) = +1/2 (51) / -0		12 (305) < L ≤ 60 (1524) = +2/51 (-0		SCALE N/A	
60 (1524) < L ≤ 120 (3048) = +4/102 (-0		120 (3048) < L ≤ 300 (7620) = +6/152 (-0		REV A	
300 (7620) < L = +5%/L / -0				ITEM NO. FM51252	
ALL DIMENSIONS SHOWN ARE FOR REFERENCE ONLY.		DRAWN BY AKRESOWSK		REV	
SIZE A		GAGE CODE 3FKRS		REV A	