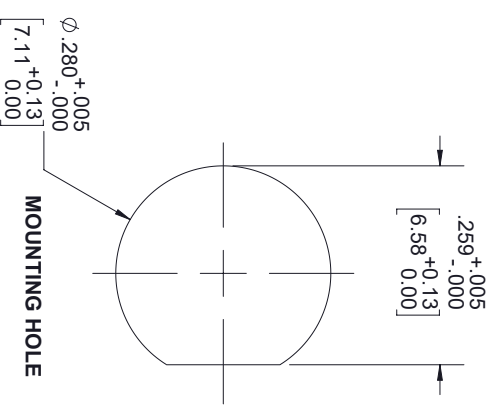


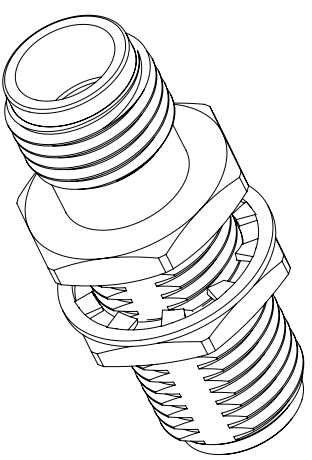
2.4mm FEMALE

2.4mm FEMALE
BULKHEAD



STANDARD TOLERANCES
.X ±0.2
.XX ±0.01
.XXX ±0.005

*STANDARD TOLERANCES APPLY
ONLY TO DIMENSIONS IN INCHES



NOTES:
1. UNLESS OTHERWISE SPECIFIED ALL DIMENSIONS ARE NOMINAL.
2. ALL SPECIFICATIONS ARE SUBJECT TO CHANGE WITHOUT NOTICE AT ANY TIME.
3. DIMENSIONS ARE IN INCHES [mm].

TITLE	
-------	--

DWG NO	FMAD1159	CAGE CODE	3FKR5
CAD FILE	03/11/19	SHEET	1 OF 1
SCALE	N/A	SIZE	A
			7361