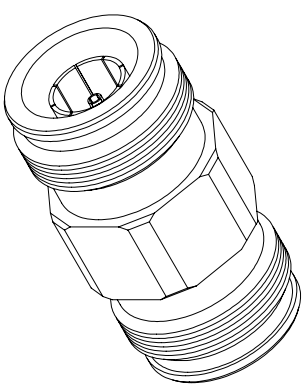


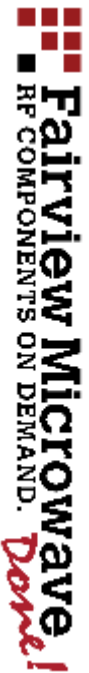
(" 19\$
: 9A5 @

(" 19\$
: 9A5 @



GH5B85F8.HC@9F5B79G
"L.....-\$"&
"L.....-\$"&\$%
"LLL...-\$"\$\$)

I GH5B85F8.HC@9F5B79G.5DD@M
CB@MHC.8-A.9BG-C.BG.-B.-B7.<9G



HH@9

HH@9		BC		75: 97G89		: ?F)	
ØT Ø&F&I							
758 : @9 %&#&\$' %&	G<99H	%C : %	G75@9' B#5	G-N9' 5	7B&&()		

BC#9G.
%1.B@9GG.CH-K.9F.K.-G.9.GD97 = #98.5@8.8-A.98G-C.BG.5F.9.BCA.-B5@
&".5@GD97 = -7.5H-C.BG.5F.9.GI.6>97.HHC.7<.5B: 9'K.-H.C.I.H.BCH=7'9.5H.5B.MHA.9"
"...8-A.98G-C.BG.5F.9.-B.-B7.<9G.Q.a.Q