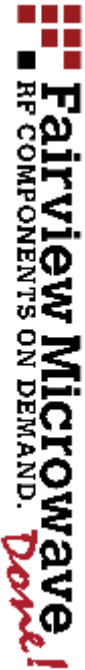
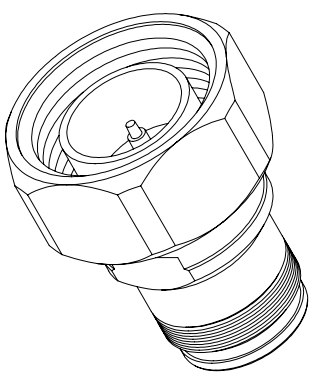


GH5B85F8.HC@9F5B79G
 "L.....-\$"8
 "L.....-\$"9%
 "LLL...-\$"\$\$\$)

1 GH5B85F8.HC@9F5B79G.5DD@M
 CB@MHC.8-A.9BG-C.BG.-B.-B7.<9G



HH@9

HH@9				
------	--	--	--	--

758 : @9 %&#\$(#%	G<99H	%C : %	G75@9 B#5	G-N9 5	7B&&()
-------------------	-------	--------	-----------	--------	--------

BCHPG.
 %1.B@9GG.CH-K.9F.K.-G9.GD97 = #98.5@8.8-A.9BG-C.BG.5F.9.BCA.-B5@
 &".5@GD97 = -7.5H-C.BG.5F.9.GI.6.597.H.HC.7.<5B. 9.K.-H.C.I.H.BCH=79.5H.5B.MHA.9"
 "...8-A.9BG-C.BG.5F.9.-B.-B7.<9G.Q.a.Q

8K : BC ØT ØDFH J 75: 977G89 . : ?F)