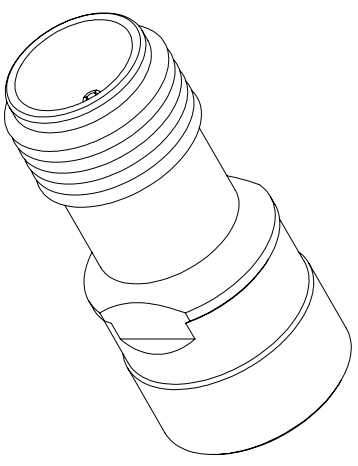


..... B
: 9A5 @

EI 7? DISTCBB97H
(" 19\$
: 9A5 @

GH5B85F8.HC@9F5B79G
"L.....-\$"&
"LL.....-\$"&\$%
"LLL.....-\$"\$\$\$)

! GH5B85F8.HC@9F5B79G.5DD@M
CB@MHC.8-A.9BG-C.BG.-B.-B7.<9G



Fairview Microwave
RF COMPONENTS ON DEMAND. *Done!*

HH@9

BCHK. %:1.B@9GG.CH-K.9G.GD97 = #98.5@8.8-A.9BG-CBG.5F.9.BCA.-B5@ &":5@GD97 = -7.5H-CBG.5F.9.GI.6.597.HHC.7.<5B.9.K.HC.CI.H.BCH=79.5H.5B.MHA.9" ...8-A.9BG-CBG.5F.9.-B.-B7.<9G.Q.a.Q		8K : BC	75: 97G89	: ?F)	
ØT ØFFI G					
758 : @9 %&#&\$) #%	G<99H	%C : %	G75@9' B#5	G-N9' 5	7B&&()