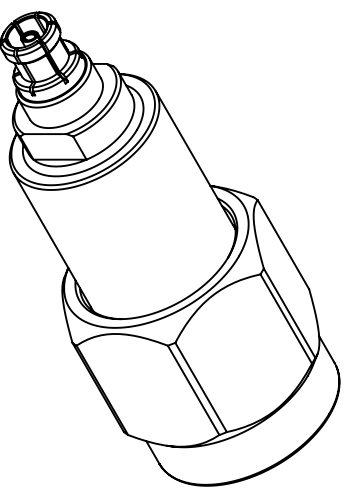
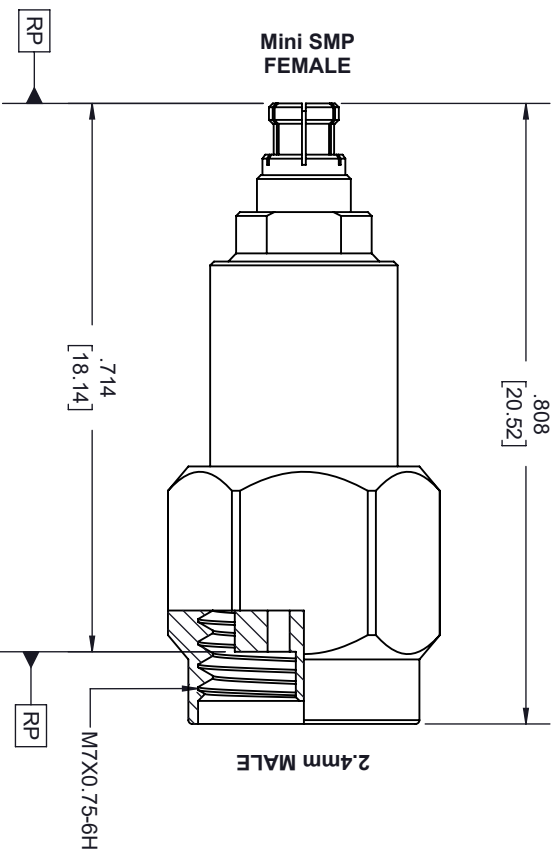
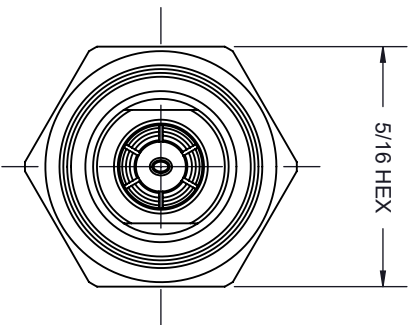


REVISIONS			
REV.	DESCRIPTION	DATE	APPROVED
A	INITIAL RELEASE	1/6/2021	S. ELLIS



THESE COMMODITIES, TECHNOLOGY OR SOFTWARE WERE EXPORTED FROM THE UNITED STATES IN ACCORDANCE WITH THE EXPORT ADMINISTRATION REGULATIONS, DIVERSION CONTRARY TO U.S. LAW PROHIBITED.



TITLE

UNLESS OTHERWISE SPECIFIED LEADING DIMENSIONS ARE INCHES DIMENSIONS IN [] ARE MILLIMETERS		THIRD-ANGLE PROJECTION	
TOLERANCES:			
CABLE LENGTH (L) TOLERANCES:			
X = ±.2 [5.08]	FRACTIONS	L ≤ 12 [305]	±.1 [2.5] / -0
XX = ±.02 [.51]	±.1/32	12 [305] < L ≤ 60 [1524]	±.2 [5.1] / -0
XXX = ±.005 [.13]	ANGLES ± 1°	60 [1524] < L ≤ 120 [3048]	±.4 [10.2] / -0
		120 [3048] < L ≤ 300 [7620]	±.6 [15.2] / -0
		300 [7620] < L	±.5%L / -0
ALL DIMENSIONS SHOWN ARE FOR REFERENCE ONLY.		SCALE	
SIZE		N/A	
GAGE CODE		REV	
3FKR5		A	
DRAWN BY		REV	
K.DANG		A	
ITEM NO.		REV	
FMAD1264		A	