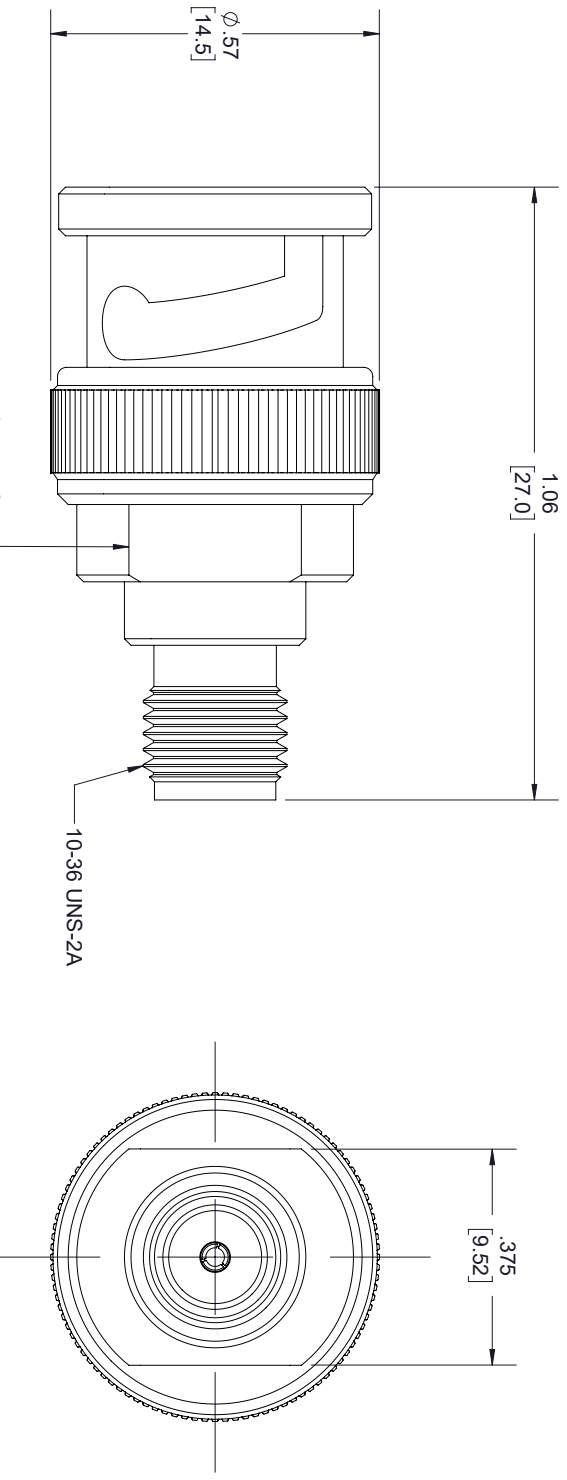


REVISIONS			
REV.	DESCRIPTION	DATE	APPROVED
A	INITIAL RELEASE	03/31/2022	AGANWANI



BNC
MALE

SSMA
FEMALE

THESE COMMODITIES, TECHNOLOGY OR SOFTWARE WERE EXPORTED FROM THE UNITED STATES IN ACCORDANCE WITH THE EXPORT ADMINISTRATION REGULATIONS, DIVERSION CONTRARY TO U.S. LAW PROHIBITED.



TITLE

UNLESS OTHERWISE SPECIFIED LEADING DIMENSIONS ARE INCHES DIMENSIONS IN [] ARE MILLIMETERS				THIRD-ANGLE PROJECTION				
TOLERANCES:				CABLE LENGTH (L) TOLERANCES:				
X = ±.2	[.008]	FRACTIONS	±.125 / -0	L ≤ 12	[.005]	=	+1 [25] / -0	
XX = ±.02	[.51]	±.1/32	±.1/32	12 [1305]	< L ≤ 60	[1.624]	=	+2 [51] / -0
XXX = ±.005	[.13]	ANGLES ± 1°	±.1/32	60 [1524]	< L ≤ 120	[3.048]	=	+4 [102] / -0
				120 [3048]	< L ≤ 300	[7.620]	=	+6 [152] / -0
				300 [7620]	< L	=	+5%L / -0	
ALL DIMENSIONS SHOWN ARE FOR REFERENCE ONLY.				SCALE				
SIZE	GAGE CODE	DRAWN BY	ITEM NO.	REV		REV		
A	3FKRS	K.GLEBOVA	FMAD1287	N/A		A		

THE INFORMATION AND DESIGN IN THIS DOCUMENT IS THE PROPERTY OF FAIRVIEW MICROWAVE CORPORATION. ALL RIGHTS RESERVED.