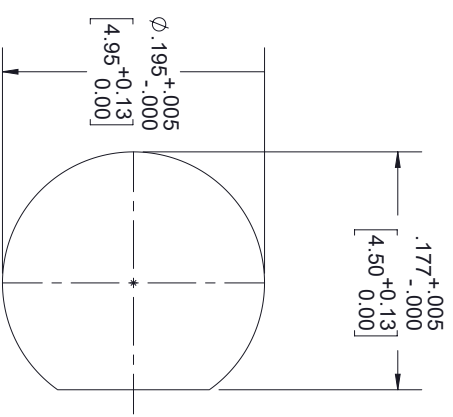
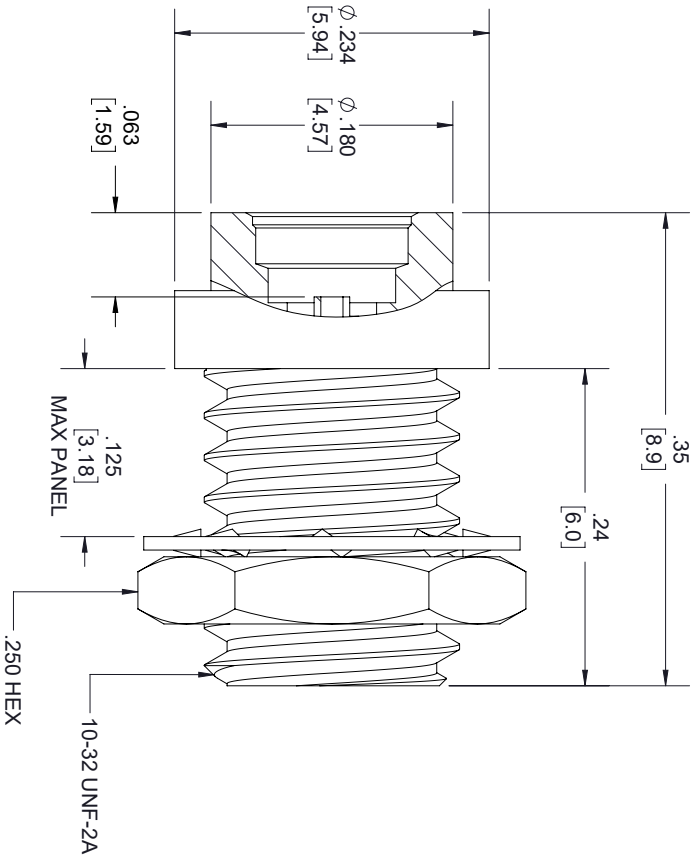


REVISIONS			
REV.	DESCRIPTION	DATE	APPROVED
A	INITIAL RELEASE	03/31/2022	AGANWANI



THESE COMMODITIES, TECHNOLOGY OR SOFTWARE WERE EXPORTED FROM THE UNITED STATES IN ACCORDANCE WITH THE EXPORT ADMINISTRATION REGULATIONS, DIVERSION CONTRARY TO U.S. LAW PROHIBITED.



TITLE

UNLESS OTHERWISE SPECIFIED LEADING DIMENSIONS ARE INCHES DIMENSIONS IN [] ARE MILLIMETERS				THIRD-ANGLE PROJECTION	
TOLERANCES:					
FRACTIONS				THE INFORMATION AND DESIGN IN THIS DOCUMENT IS THE PROPERTY OF FAIRVIEW MICROWAVE CORPORATION. ALL RIGHTS RESERVED.	
DIMENSIONS IN [] ARE MILLIMETERS				SCALE	
CABLE LENGTH (L) TOLERANCES:				SHEET 1 OF 1	
L ± 1/2 (806) = +1/25 / -0 12 (305) < L ≤ 60 (1524) = +2/51 / -0 60 (1524) < L ≤ 120 (3048) = +4/102 / -0 120 (3048) < L ≤ 300 (7620) = +6/152 / -0 300 (7620) < L = +5%/L / -0				N/A	
SIZE	GAGE CODE	DRAWN BY	ITEM NO.	REV	
A	3FKRS	K.GLEBOVA	FMAD1310	A	
ALL DIMENSIONS SHOWN ARE FOR REFERENCE ONLY.					