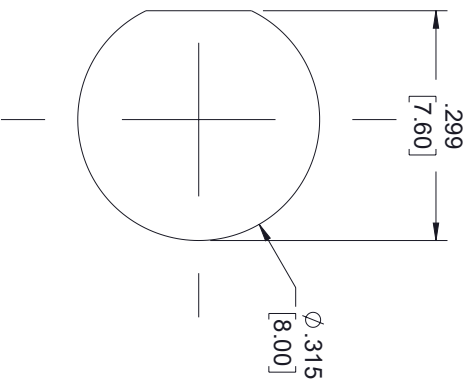
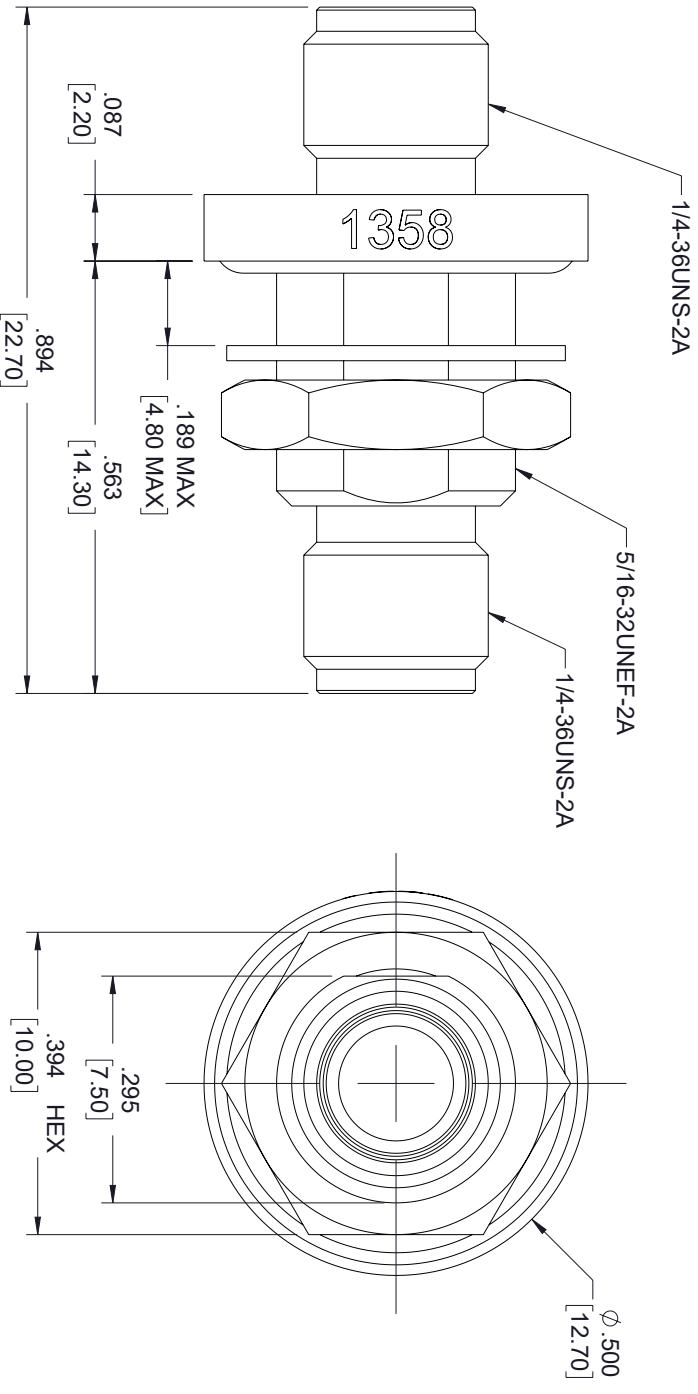


| REVISIONS | | | |
|-----------|-----------------|------------|----------|
| REV. | DESCRIPTION | DATE | APPROVED |
| A | INITIAL RELEASE | 12/12/2022 | AGANWANI |



THESE COMMODITIES, TECHNOLOGY OR SOFTWARE WERE EXPORTED FROM THE UNITED STATES IN ACCORDANCE WITH THE EXPORT ADMINISTRATION REGULATIONS, DIVERSION CONTRARY TO U.S. LAW PROHIBITED.



TITLE

| | | | | | |
|---|-----------|-------------|---|---|--|
| UNLESS OTHERWISE SPECIFIED LEADING DIMENSIONS ARE INCHES DIMENSIONS IN [] ARE MILLIMETERS | | | | THIRD-ANGLE PROJECTION | |
| TOLERANCES: | | | | | |
| CABLE LENGTH (L) TOLERANCES: | | | | THE INFORMATION AND DESIGN IN THIS DOCUMENT IS THE PROPERTY OF FAIRVIEW MICROWAVE CORPORATION. ALL RIGHTS RESERVED. | |
| X = ±.2 | [5.08] | FRACTIONS | L ± 1/2 (806) = +1/2 (51) / -0 | SCALE | |
| XX = ±.02 | [.51] | ± 1/32 | 12 (305) < L ≤ 60 (1524) = +2 (51) / -0 | N/A | |
| XXX = ±.005 | [.13] | ANGLES ± 1° | 60 (1524) < L ≤ 120 (3048) = +4 (102) / -0 | SHEET 1 OF 1 | |
| | | | 120 (3048) < L ≤ 300 (7620) = +6 (152) / -0 | | |
| | | | 300 (7620) < L = +5% / -0 | | |
| ALL DIMENSIONS SHOWN ARE FOR REFERENCE ONLY. | | | | | |
| SIZE | GAGE CODE | DRAWN BY | ITEM NO. | REV | |
| A | 3FKRS | HBAKKE | FMAD1358 | A | |