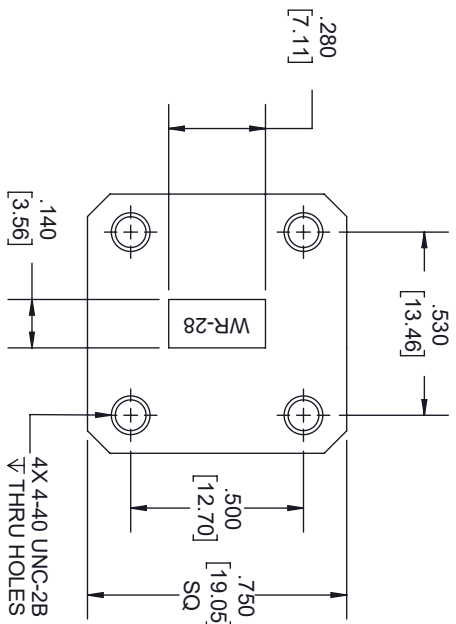
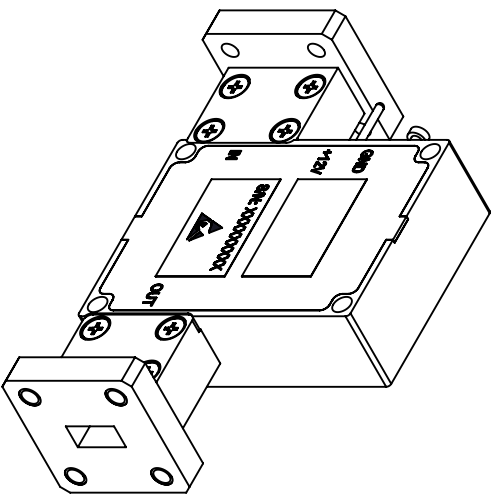
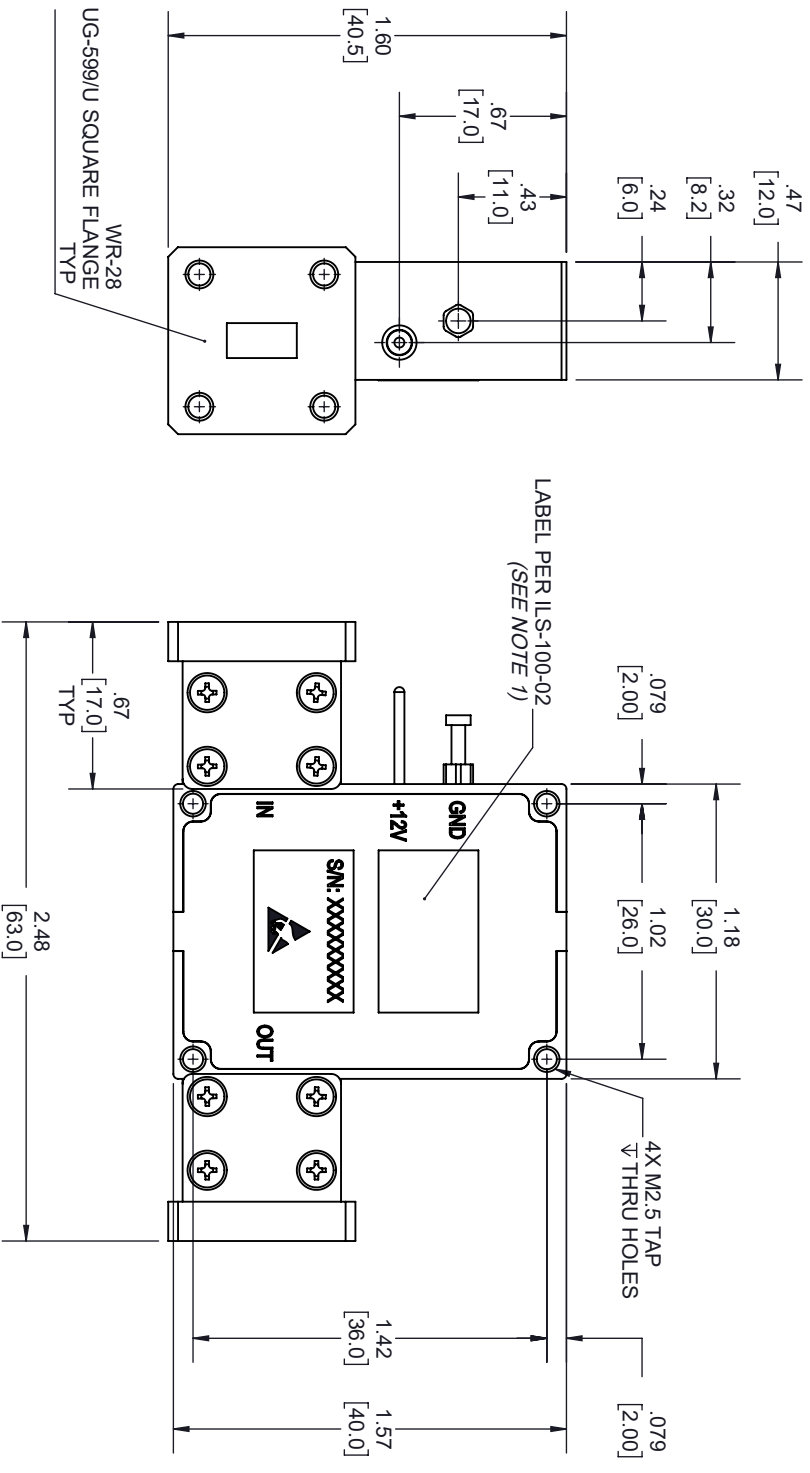


REVISIONS			
REV.	DESCRIPTION	DATE	APPROVED
A	INITIAL RELEASE	7/16/2020	T.GALLA



FLANGE DETAIL

- NOTES:
 1. LABEL PER ILS-100-02. FOR INTERNAL REFERENCE ONLY.
 LABEL LOCATION FOR REFERENCE ONLY.

THESE COMMODITIES, TECHNOLOGY OR SOFTWARE WERE EXPORTED FROM THE UNITED STATES IN ACCORDANCE WITH THE EXPORT ADMINISTRATION REGULATIONS, DIVERSION CONTRARY TO U.S. LAW PROHIBITED.



TITLE

UNLESS OTHERWISE SPECIFIED LEADING DIMENSIONS ARE INCHES				THIRD-ANGLE PROJECTION	
DIMENSIONS IN [] ARE MILLIMETERS					
TOLERANCES:				THE INFORMATION AND DESIGN IN THIS DOCUMENT IS THE PROPERTY OF FAIRVIEW MICROWAVE CORPORATION. ALL RIGHTS RESERVED.	
CABLE LENGTH (L) TOLERANCES:		L ≤ 12 (305) = +1 (25) / -0		SHEET 1 OF 1	
FRACTIONS		12 (305) < L ≤ 60 (1524) = +2 (51) / -0		SCALE N/A	
XXX ± .005 (.13)		60 (1524) < L ≤ 120 (3048) = +4 (102) / -0		REV A	
ANGLES ± 1°		120 (3048) < L ≤ 300 (7620) = +6 (152) / -0		ITEM NO. FMAM1077	
		300 (7620) < L = +5%L / -0		DRAWN BY K.DANG	
				GAGE CODE 3FKRS	
				SIZE A	