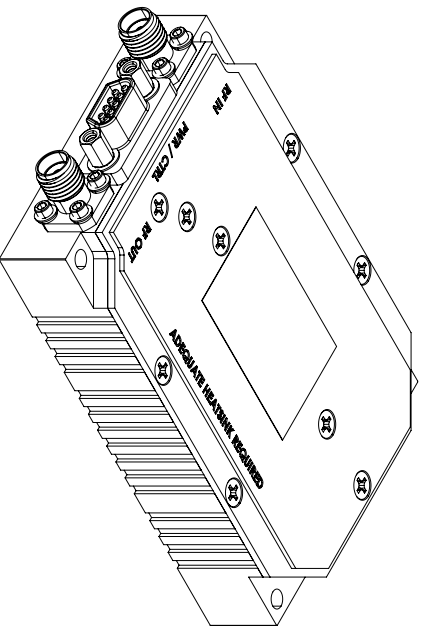
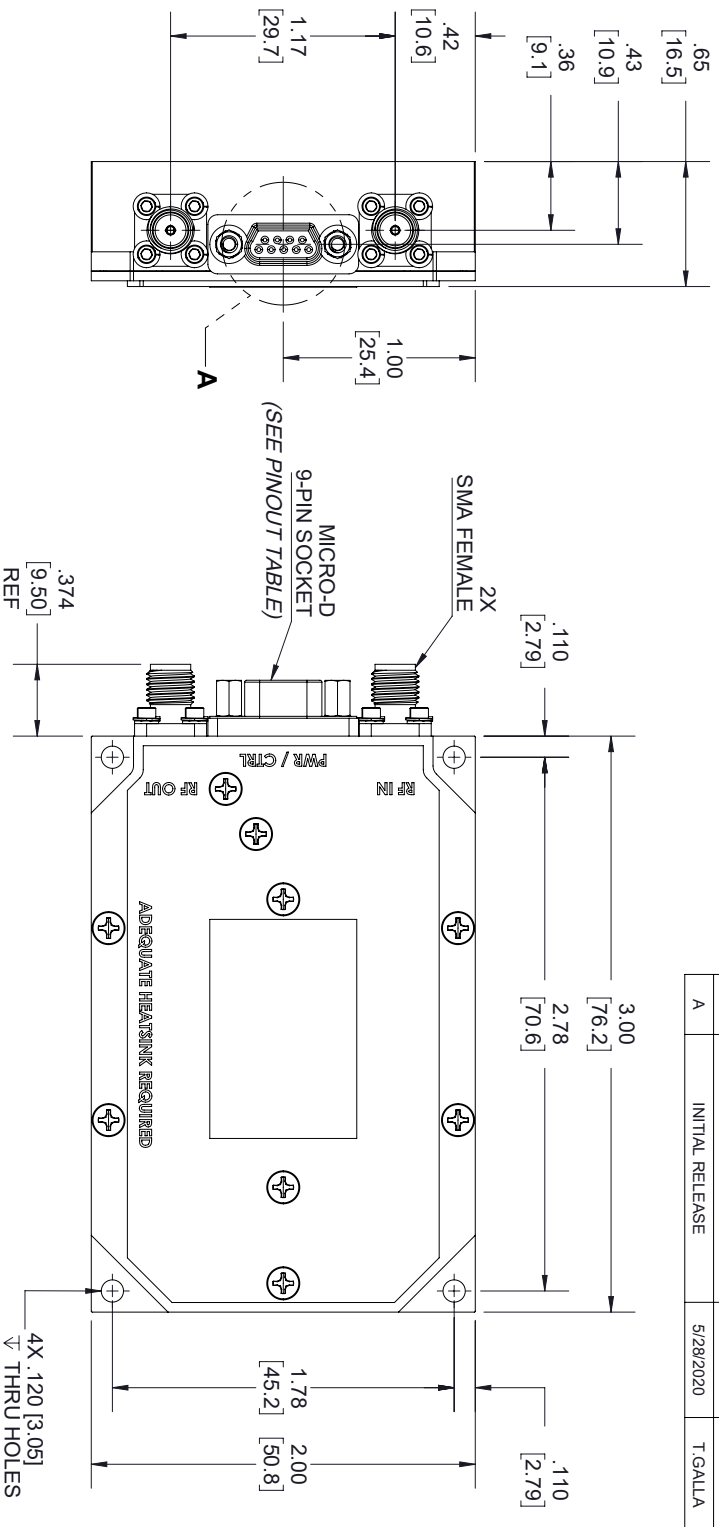


| REVISIONS | | | DATE | APPROVED |
|-----------|-----------------|--|-----------|----------|
| REV. | DESCRIPTION | | | |
| A | INITIAL RELEASE | | 5/28/2020 | T.GALLA |

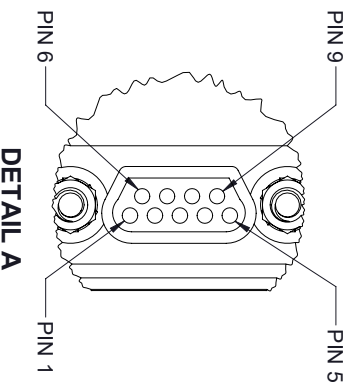


LABEL



THESE COMMODITIES, TECHNOLOGY OR SOFTWARE WERE EXPORTED FROM THE UNITED STATES IN ACCORDANCE WITH THE EXPORT ADMINISTRATION REGULATIONS, DIVERSION CONTRARY TO U.S. LAW PROHIBITED.

| Pin # | I/O | Function |
|-------|-----|---|
| 1,2 | I | DC Power (+11 TO +32 VDC) |
| 3,4 | I | GND |
| 5 | I | RF Enable 0V or GND = RF ON +5V or NC = RF OFF |
| 6,7,9 | - | No Connect |
| 8 | 0 | Over Temperature Flag 0V = Temperature Fault +5V = No Fault |



TITLE

UNLESS OTHERWISE SPECIFIED LEADING DIMENSIONS ARE INCHES
DIMENSIONS IN [] ARE MILLIMETERS

TOLERANCES:

CABLE LENGTH (L) TOLERANCES:

X = ±.2 [5.08] FRACTIONS
XX = ±.02 [.51] ±.1/32
XXX = ±.005 [.13] ANGLES ± 1°

L ≤ 12 [305] = +1 [25] / -0
12 [305] < L ≤ 60 [1524] = +2 [51] / -0
60 [1524] < L ≤ 120 [3048] = +4 [102] / -0
120 [3048] < L ≤ 300 [7620] = +6 [152] / -0
300 [7620] < L = +5% / -0

THIRD-ANGLE PROJECTION

THE INFORMATION AND DESIGN IN THIS DOCUMENT IS THE PROPERTY OF FAIRVIEW MICROWAVE CORPORATION. ALL RIGHTS RESERVED.

SHEET 1 OF 3

ALL DIMENSIONS SHOWN ARE FOR REFERENCE ONLY.

SCALE

SIZE

A

GAGE CODE

3FKRS

DRAWN BY

K.DANG

ITEM NO.

FMAM5081

REV

A