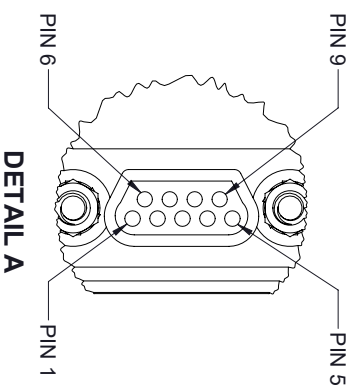
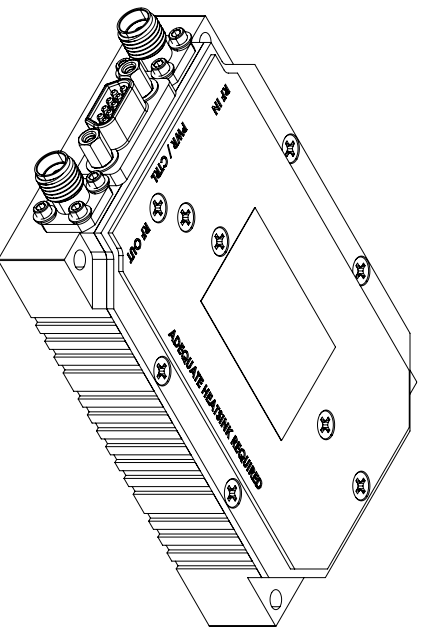
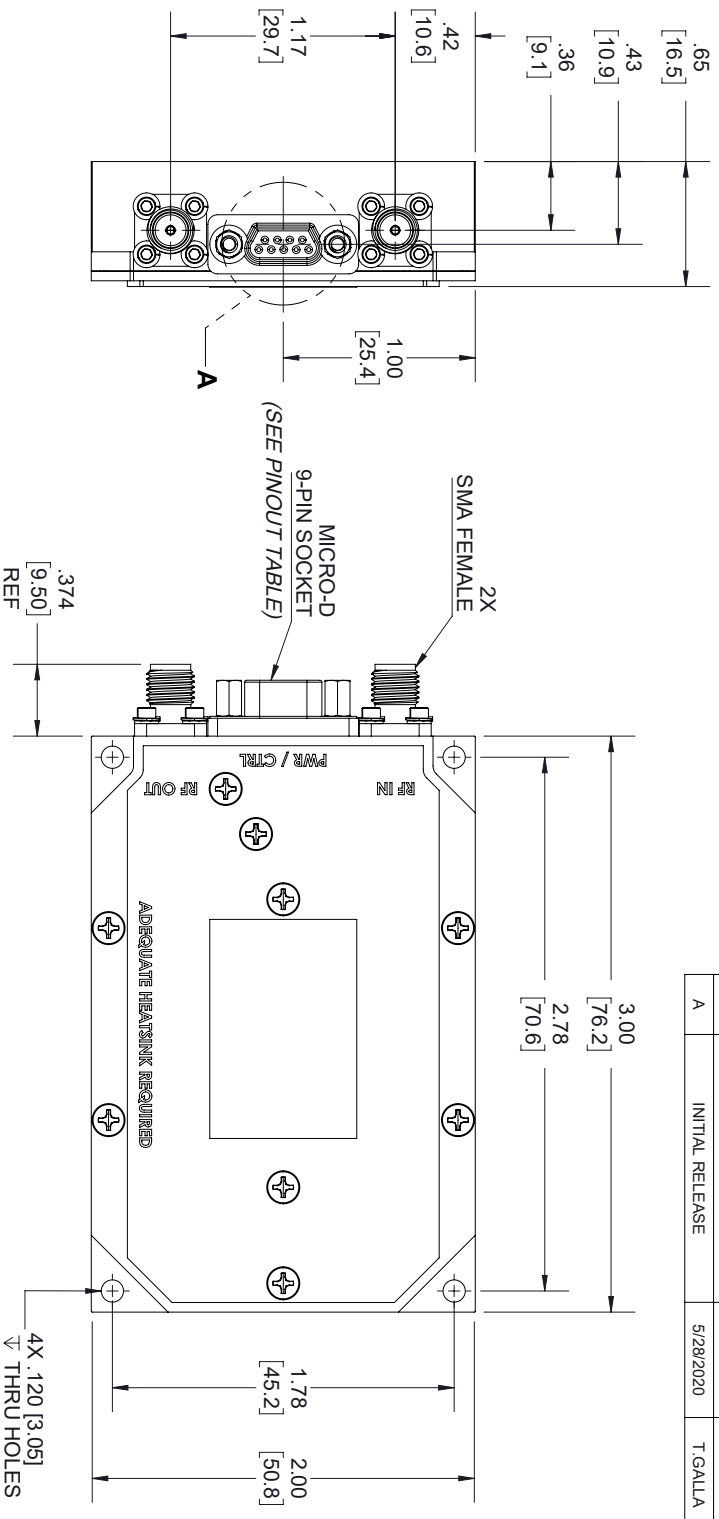


REVISIONS			DATE	APPROVED
REV.	DESCRIPTION	INITIAL RELEASE		
A			5/28/2020	T. GALLA



Pin #	I/O	Function
1,2	I	DC Power (+1.1 TO +32 VDC)
3,4	I	GND
5	I	RF Enable 0V or GND = RF ON +5V or NC = RF OFF
6,7,9	-	No Connect
8	0	Over Temperature Flag 0V = Temperature Fault +5V = No Fault

LABEL

Fairview Microwave
 an INFINITe brand
 WWW.FAIRVIEWMICROWAVE.COM
 FMAM5085
 V002162YYYYMMDDXXXX

THESE COMMODITIES, TECHNOLOGY OR SOFTWARE WERE EXPORTED FROM THE UNITED STATES IN ACCORDANCE WITH THE EXPORT ADMINISTRATION REGULATIONS, DIVERSION CONTRARY TO U.S. LAW PROHIBITED.

Fairview Microwave
 an INFINITe brand

UNLESS OTHERWISE SPECIFIED LEADING DIMENSIONS ARE INCHES
 DIMENSIONS IN [] ARE MILLIMETERS
 TOLERANCES:
 CABLE LENGTH (L) TOLERANCES:
 L ≤ 12 (305) = +1 (25) / -0
 12 (305) < L ≤ 60 (1524) = +2 (51) / -0
 60 (1524) < L ≤ 120 (3048) = +4 (102) / -0
 120 (3048) < L ≤ 300 (7620) = +6 (152) / -0
 300 (7620) < L = +5%L / -0

THIRD-ANGLE PROJECTION

 THE INFORMATION AND DESIGN IN THIS DOCUMENT IS THE PROPERTY OF FAIRVIEW MICROWAVE CORPORATION. ALL RIGHTS RESERVED.

ALL DIMENSIONS SHOWN ARE FOR REFERENCE ONLY.
 SCALE 1 OF 3

SIZE	GAGE CODE	DRAWN BY	ITEM NO.	REV
A	3FKRS	K.DANG	FMAM5085	A