

6

5

4

3

2

1

F

E

D

C

B

A

F

E

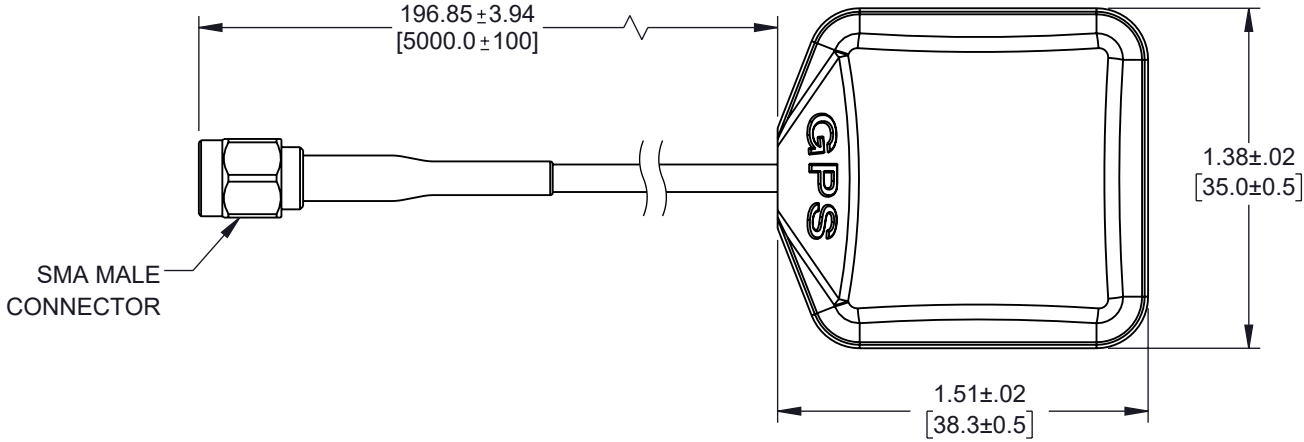
D

C

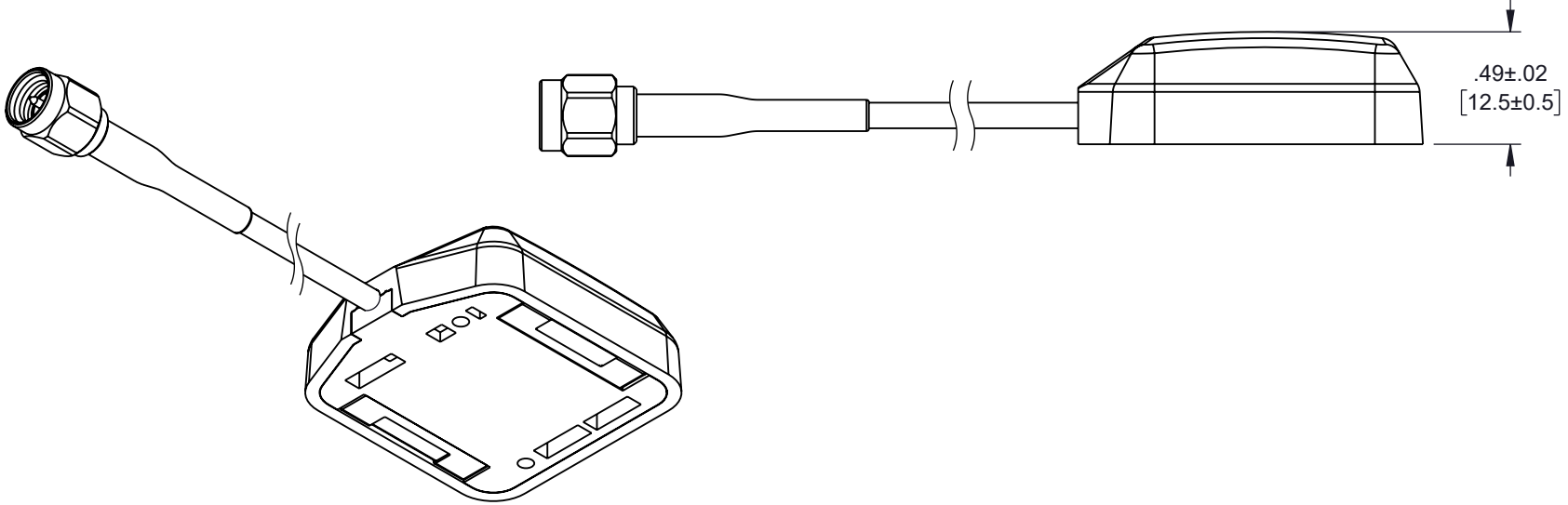
B

A

REVISION					
ZONE	REV	DESCRIPTION	DATE	CHANGED BY	APPROVED
	B	ECO-12909	11/21/2023	DMAY	KHIETPAS



SMA MALE CONNECTOR



UNLESS OTHERWISE SPECIFIED
LEADING DIMENSIONS ARE INCHES
DIMENSIONS IN [] ARE MILLIMETERS

TOLERANCES:

X = ± 2 [5]	FRACTIONS ± 1/32
.XX = ± 0.02 [0.5]	ANGLES ± 1°
.XXX = ± 0.005 [0.13]	

CABLE LENGTH TOLERANCES:

≤ 12 [305]	≤ 60 [1524]	≤ 120 [3048]	≤ 300 [7620]	> 300 [7620]
= +1 [25] / -0	= +2 [51] / -0	= +4 [102] / -0	= +6 [152] / -0	= +5% / -0

ALL DIMENSIONS ARE FOR REFERENCE ONLY
AND SUBJECT TO CHANGE WITHOUT NOTICE
UN-DIMENSIONED/NON-CRITICAL FEATURES
MAY VARY IN SIZE AND LOCATION
COLORS MAY VARY



Website: www.FairviewMicrowave.com
Phone: 1.800.715.4396 | 1.972.649.6678

INTERPRET ALL DIMENSIONS AND TOLERANCES PER ASME Y14.5	
SCALE NONE	SHEET 1 OF 1

DESCRIPTION
28dB ACTIVE GNSS ANTENNA RHCP 1575-1602 MHz, RG174
SMA MALE IPX6

THE INFORMATION CONTAINED IN THIS DRAWING IS THE SOLE PROPERTY OF INFINITE ELECTRONICS, INC. ANY REPRODUCTION IN PART OR WHOLE WITHOUT THE WRITTEN PERMISSION OF INFINITE ELECTRONICS, INC. IS PROHIBITED. THESE COMMODITIES, TECHNOLOGY OR SOFTWARE WERE EXPORTED FROM THE UNITED STATES IN ACCORDANCE WITH THE EXPORT ADMINISTRATION REGULATIONS. DIVERSION CONTRARY TO U.S. LAW PROHIBITED.

SIZE A	CAGE CODE 3FKR5	DRAWN BY DMAY	ITEM NO. FMANGPS1010	REV B
-----------	--------------------	------------------	-------------------------	----------

6

5

4

3

2

1