

6

5

4

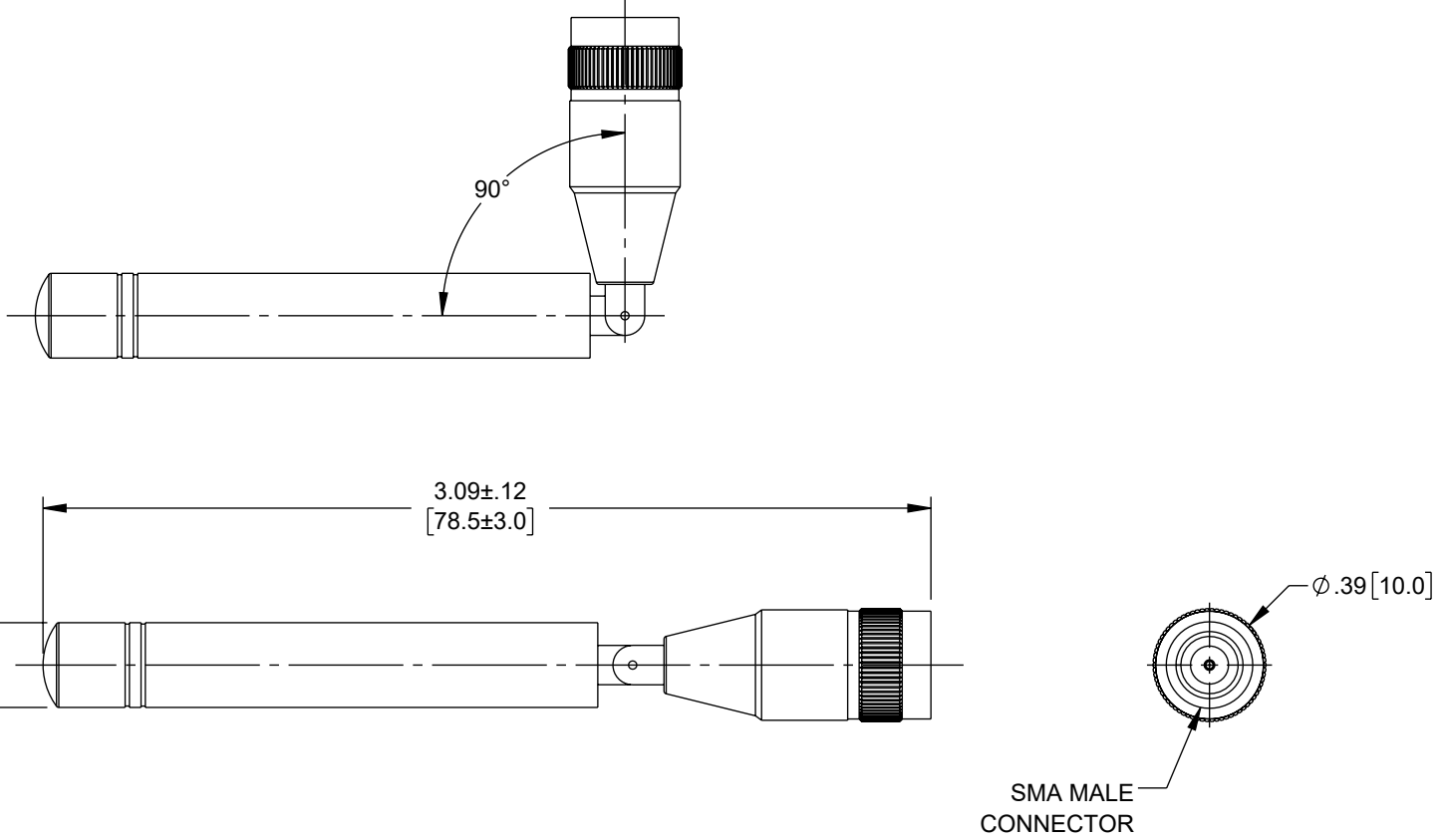
3

2

1

REVISION

ZONE	REV	DESCRIPTION	DATE	CHANGED BY	APPROVED
	A	INITIAL RELEASE	04/07/2023	DMAY	KHIETPAS



THE INFORMATION CONTAINED IN THIS DRAWING IS THE SOLE PROPERTY OF INFINITE ELECTRONICS, INC. ANY REPRODUCTION IN PART OR WHOLE WITHOUT THE WRITTEN PERMISSION OF INFINITE ELECTRONICS, INC. IS PROHIBITED. THESE COMMODITIES, TECHNOLOGY OR SOFTWARE WERE EXPORTED FROM THE UNITED STATES IN ACCORDANCE WITH THE EXPORT ADMINISTRATION REGULATIONS. DIVERSION CONTRARY TO U.S. LAW PROHIBITED.

UNLESS OTHERWISE SPECIFIED LEADING DIMENSIONS ARE INCHES DIMENSIONS IN [] ARE MILLIMETERS

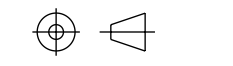
TOLERANCES:
.X = $\pm .2$ [5] FRACTIONS $\pm 1/32$
.XX = $\pm .02$ [.5] ANGLE $\pm 1^\circ$
.XXX = $\pm .005$ [.13]

CABLE LENGTH TOLERANCES:
 ≤ 12 [305] = ± 1 [25] / -0
 > 12 [305] ≤ 60 [1524] = ± 2 [51] / -0
 > 60 [1524] ≤ 120 [3048] = ± 4 [102] / -0
 > 120 [3048] ≤ 300 [7620] = ± 6 [152] / -0
 > 300 [7620] = $\pm 5\%$ / -0

ALL DIMENSIONS ARE FOR REFERENCE ONLY AND SUBJECT TO CHANGE WITHOUT NOTICE.



Website: www.FairviewMicrowave.com
Phone: 1.800.715.4396 | 1.972.649.6678



SCALE NONE SHEET 1 OF 1

DESCRIPTION
650 TO 3310 MHz, LTE WITH GPS/GNSS/BLUETOOTH

SIZE A	CAGE CODE 3FKR5	DRAWN BY DMAY	ITEM NO. FMANRBD1053	REV A
-----------	--------------------	------------------	-------------------------	----------

6

5

4

3

2

1