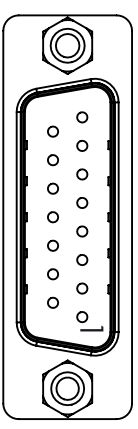
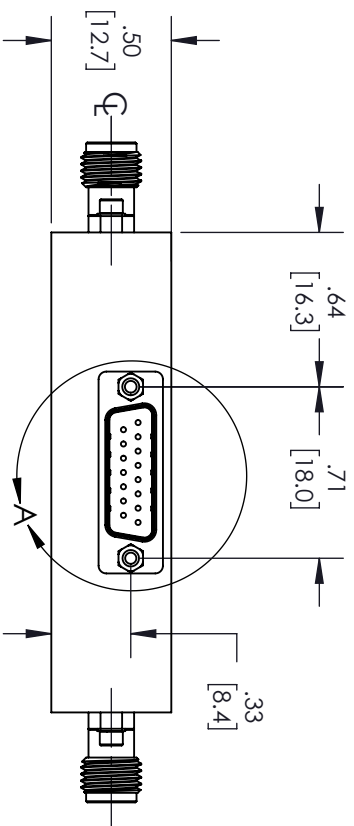


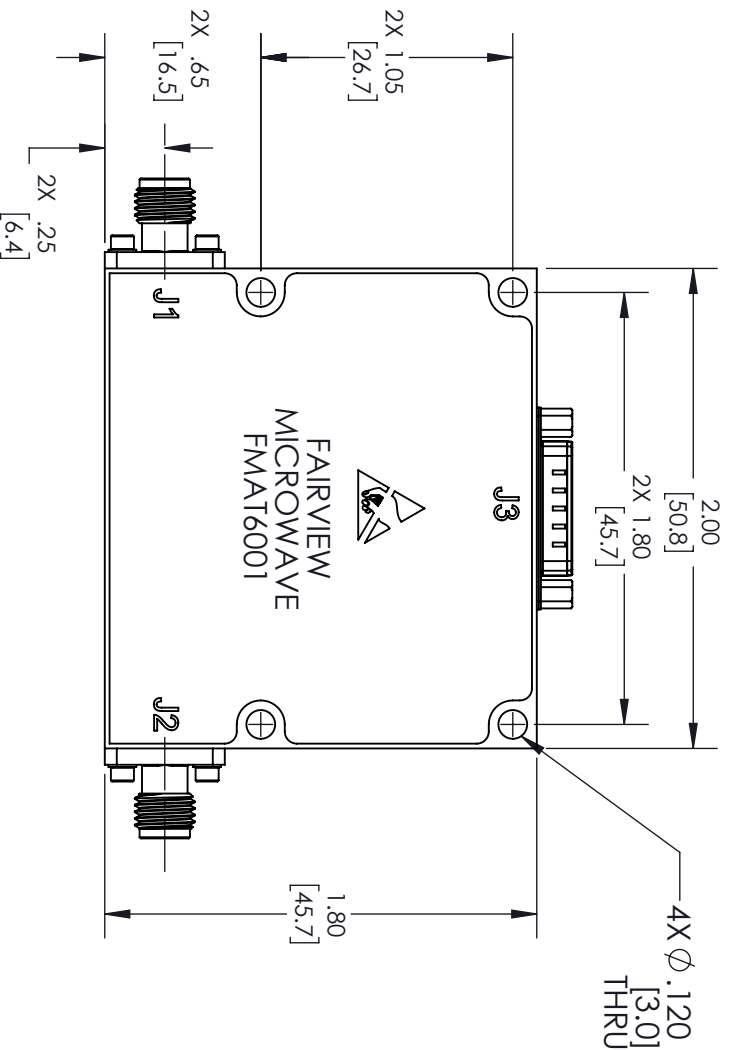
REVISIONS			
REV.	DESCRIPTION	DATE	APPROVED
B	PCR FMAT6001 20220713	07/20/22	KGIFFORD



15 PIN MICRO-D FEMALE

VIEW A

PIN	DESCRIPTION
1	1dB
2	0.5dB
3	0.25dB
4	0.125dB
5	GND
6	0.06dB
7	0.03dB (LSB)
8	GND
9	NO CONNECTION
10	NO CONNECTION
11	+12 VDC
12	16dB (MSB)
13	8dB
14	4dB
15	2dB



THESE COMMODITIES, TECHNOLOGY OR SOFTWARE WERE EXPORTED FROM THE UNITED STATES IN ACCORDANCE WITH THE EXPORT ADMINISTRATION REGULATIONS, DIVERSION CONTRARY TO U.S. LAW PROHIBITED.



TITLE

UNLESS OTHERWISE SPECIFIED LEADING DIMENSIONS ARE INCHES				THIRD-ANGLE PROJECTION	
DIMENSIONS IN [] ARE MILLIMETERS					
TOLERANCES:				THE INFORMATION AND DESIGN IN THIS DOCUMENT IS THE PROPERTY OF FAIRVIEW MICROWAVE CORPORATION. ALL RIGHTS RESERVED.	
CABLE LENGTH (L) TOLERANCES:				SHEET 1 OF 1	
L ± 1/2 (806) = +1/2 (25) / -0 12 (305) < L ≤ 60 (1524) = +2 (51) / -0 60 (1524) < L ≤ 120 (3048) = +4 (102) / -0 120 (3048) < L ≤ 300 (7620) = +6 (152) / -0 300 (7620) < L = +5%L / -0				SCALE N/A	
SIZE	GAGE CODE	DRAWN BY	ITEM NO.	REV	
A	3FKR5	BPUCHASKI	FMAT6001	B	