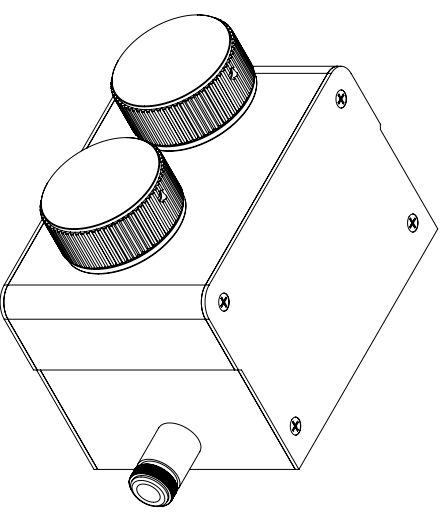
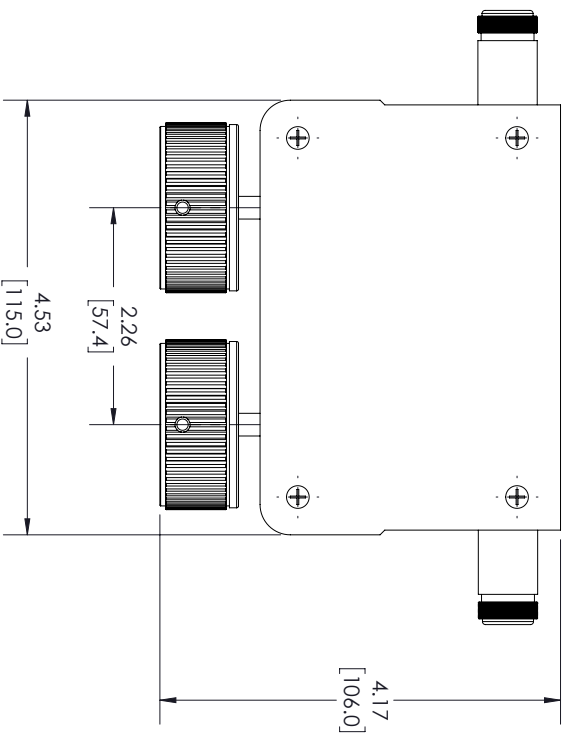
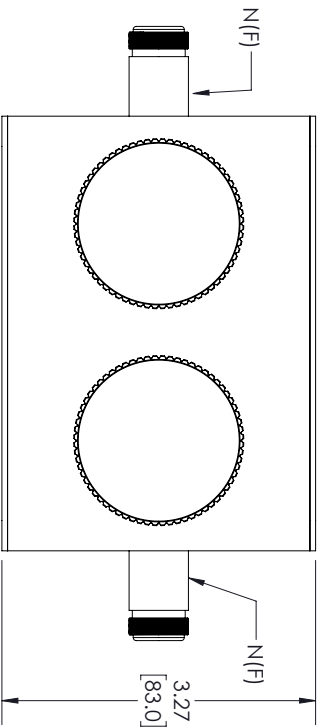


REVISIONS			
REV.	DESCRIPTION	DATE	APPROVED
A	INITIAL RELEASE	05/19/2022	SPONG



THESE COMMODITIES, TECHNOLOGY OR SOFTWARE WERE EXPORTED FROM THE UNITED STATES IN ACCORDANCE WITH THE EXPORT ADMINISTRATION REGULATIONS, DIVERSION CONTRARY TO U.S. LAW PROHIBITED.



TITLE

UNLESS OTHERWISE SPECIFIED LEADING DIMENSIONS ARE INCHES				THIRD-ANGLE PROJECTION	
DIMENSIONS IN [] ARE MILLIMETERS					
TOLERANCES:				THE INFORMATION AND DESIGN IN THIS DOCUMENT IS THE PROPERTY OF FAIRVIEW MICROWAVE CORPORATION. ALL RIGHTS RESERVED.	
CABLE LENGTH (L) TOLERANCES:				SCALE	
$L \pm 1/2$ [806] = $\pm 1/25$ / -0 12 [305] < $L \leq 60$ [1524] = $\pm 2/51$ / -0 60 [1524] < $L \leq 120$ [3048] = $\pm 4/102$ / -0 120 [3048] < $L \leq 300$ [7620] = $\pm 6/152$ / -0 300 [7620] < $L = +5\%$ / -0		FRACTIONS $X = \pm 2$ [508] $XX = \pm 02$ [51] $XXX = \pm 005$ [13]		ANGLES $\pm 1^\circ$	
ALL DIMENSIONS SHOWN ARE FOR REFERENCE ONLY.					
SIZE	GAGE CODE	DRAWN BY	ITEM NO.	REV	REV
A	3FKRS	PSRINIVAS	FMATT7446N-69	N/A	A