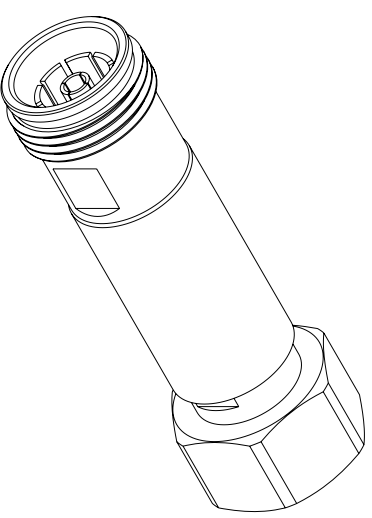
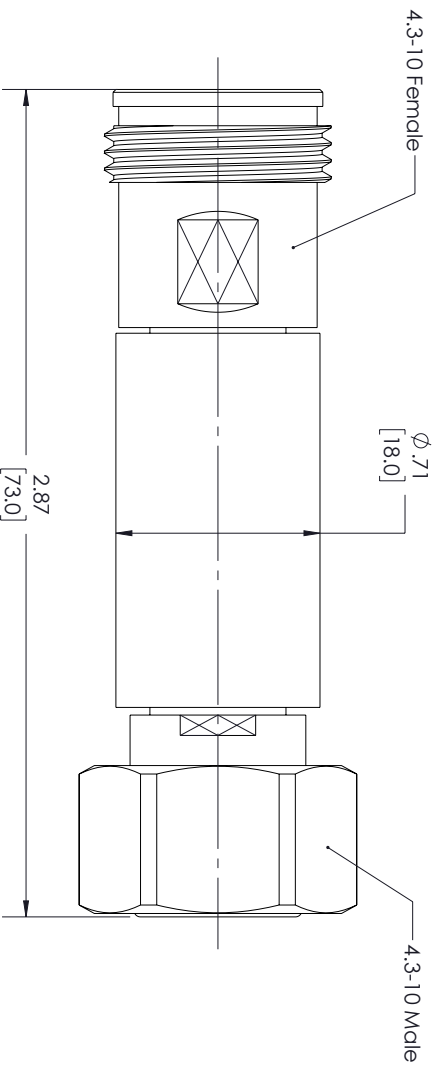


| REVISIONS | | | |
|-----------|-----------------|------------|----------|
| REV. | DESCRIPTION | DATE | APPROVED |
| A | INITIAL RELEASE | 12/28/2022 | SPONG |



THESE COMMODITIES, TECHNOLOGY OR SOFTWARE WERE EXPORTED FROM THE UNITED STATES IN ACCORDANCE WITH THE EXPORT ADMINISTRATION REGULATIONS, DIVERSION CONTRARY TO U.S. LAW PROHIBITED.



TITLE

| | | | | | |
|---|-----------|---|-------------|------------------------|--|
| UNLESS OTHERWISE SPECIFIED LEADING DIMENSIONS ARE INCHES DIMENSIONS IN [] ARE MILLIMETERS | | | | THIRD-ANGLE PROJECTION | |
| TOLERANCES: | | | | | |
| CABLE LENGTH (L) TOLERANCES: | | L ≤ 12 [305] = +1 [25] / -0 12 [305] < L ≤ 60 [1524] = +2 [51] / -0 60 [1524] < L ≤ 120 [3048] = +4 [102] / -0 120 [3048] < L ≤ 300 [7620] = +6 [152] / -0 300 [7620] < L = +5%L / -0 | | | |
| FRACTIONS | | THE INFORMATION AND DESIGN IN THIS DOCUMENT IS THE PROPERTY OF FAIRVIEW MICROWAVE CORPORATION. ALL RIGHTS RESERVED. | | | |
| X = ±.2 [5.08] XX = ±.02 [.51] XXX = ±.005 [.13] | | ± 1/32 ANGLES ± 1° | | SHEET 1 OF 1 | |
| ALL DIMENSIONS SHOWN ARE FOR REFERENCE ONLY. | | | | SCALE N/A | |
| SIZE | GAGE CODE | DRAWN BY | ITEM NO. | REV | |
| A | 3FKRS | PSRINIVAS | FMAT7451-20 | A | |