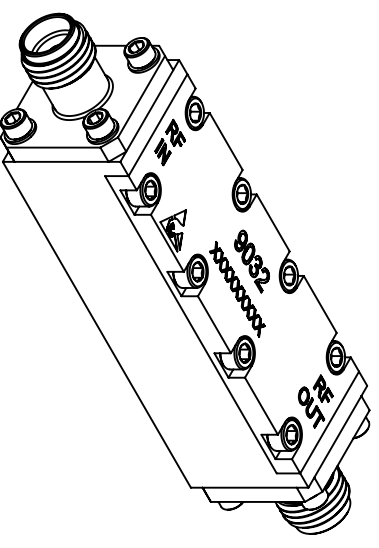
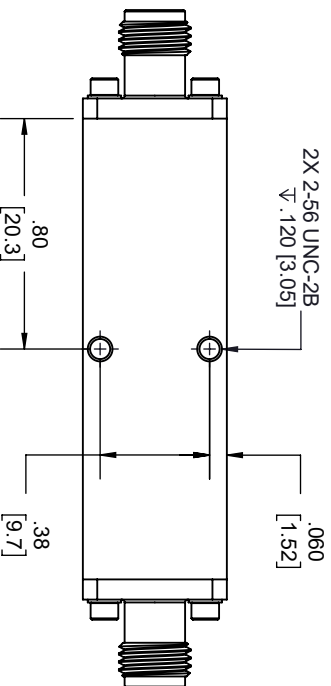
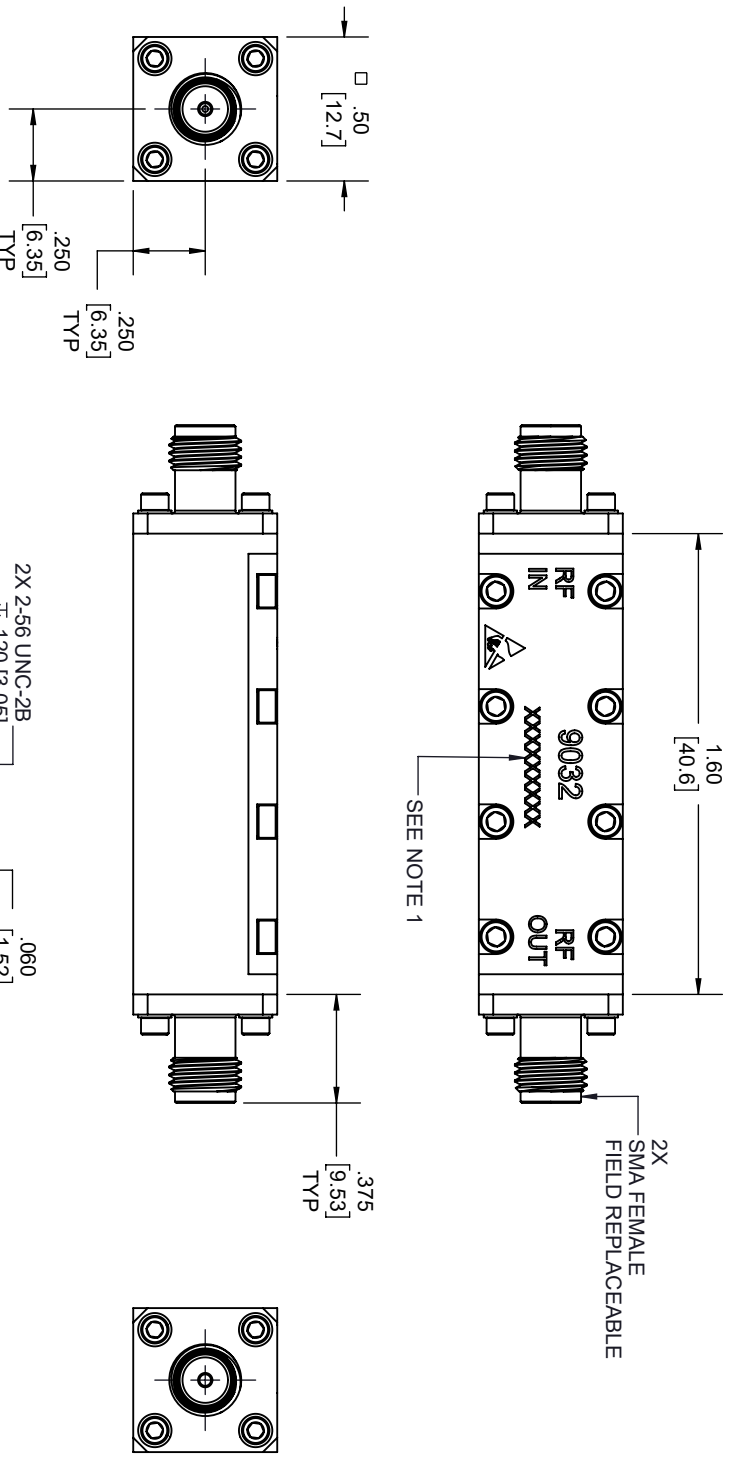


REVISIONS			
REV.	DESCRIPTION	DATE	APPROVED
A	INITIAL RELEASE	5/10/2022	T. GALLA



- NOTES:
- SERIAL NUMBER AND DATE CODE ARE COMBINED.
EX: 221891396

THESE COMMODITIES, TECHNOLOGY OR SOFTWARE WERE EXPORTED FROM THE UNITED STATES IN ACCORDANCE WITH THE EXPORT ADMINISTRATION REGULATIONS, DIVERSION CONTRARY TO U.S. LAW PROHIBITED.



TITLE		FAIRVIEW MICROWAVE CORPORATION ALL RIGHTS RESERVED.	
SIZE	GAGE CODE	DRAWN BY	ITEM NO.
A	3FKRS	K.DANG	FMAT9032
ALL DIMENSIONS SHOWN ARE FOR REFERENCE ONLY.			
TOLERANCES:		THIRD-ANGLE PROJECTION	
DIMENSIONS IN () ARE MILLIMETERS			
CABLE LENGTH (L) TOLERANCES:			
X = ±.2 [5.08]	FRACTIONS ±.1/32	L ≤ 12 [305]	= +1 [25] / -0
XX = ±.02 [51]	±.1/32	12 [305] < L ≤ 60 [1524]	= +2 [51] / -0
XXX = ±.005 [13]	ANGLES ± 1°	60 [1524] < L ≤ 120 [3048]	= +4 [102] / -0
		120 [3048] < L ≤ 300 [7620]	= +6 [152] / -0
		300 [7620] < L	= +5%L / -0
SCALE		SHEET 1 OF 1	
N/A		REV A	