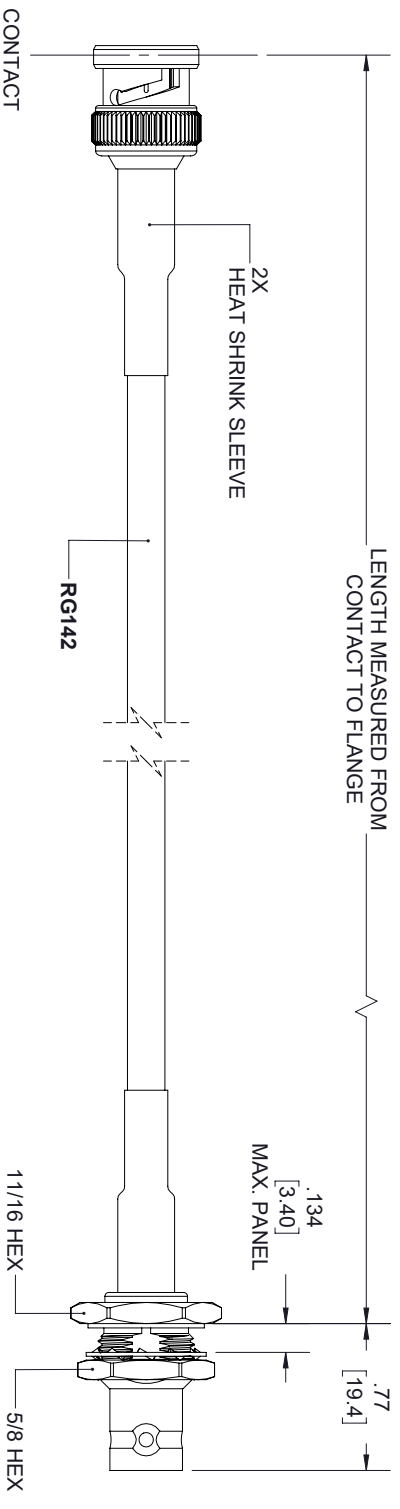
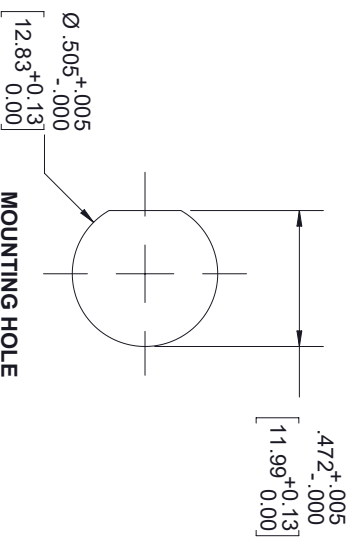


REVISIONS			
REV.	DESCRIPTION	DATE	APPROVED
A	INITIAL RELEASE	2/24/2020	S ELLIS



BNC MALE

**BNC FEMALE
BULKHEAD**



THESE COMMODITIES, TECHNOLOGY OR SOFTWARE WERE EXPORTED FROM THE UNITED STATES IN ACCORDANCE WITH THE EXPORT ADMINISTRATION REGULATIONS, DIVERSION CONTRARY TO U.S. LAW PROHIBITED.



TITLE

UNLESS OTHERWISE SPECIFIED LEADING DIMENSIONS ARE INCHES DIMENSIONS IN [] ARE MILLIMETERS				THIRD-ANGLE PROJECTION			
TOLERANCES:				CABLE LENGTH (L) TOLERANCES:			
X = ±.2	[.008]	FRACTIONS	L ≤ 12 [305] = +.125 / -0			THE INFORMATION AND DESIGN IN THIS DOCUMENT IS THE PROPERTY OF FAIRVIEW MICROWAVE CORPORATION. ALL RIGHTS RESERVED.	
XX = ±.02	[.51]	± 1/32	12 [305] < L ≤ 60 [1524] = +.2 [51] / -0			SHEET 1 OF 1	
XXX = ±.005	[.13]	ANGLES ± 1°	60 [1524] < L ≤ 120 [3048] = +.4 [102] / -0	SCALE		N/A	
			120 [3048] < L ≤ 300 [7620] = +.6 [152] / -0	ALL DIMENSIONS SHOWN ARE FOR REFERENCE ONLY.		REV A	
			300 [7620] < L = +5%L / -0	SIZE		REV	
				GAGE CODE		REV	
				DRAWN BY		REV	
				ITEM NO.		REV	
				3FKRS		REV	
				K.DANG		REV	
				FMC000352		REV	