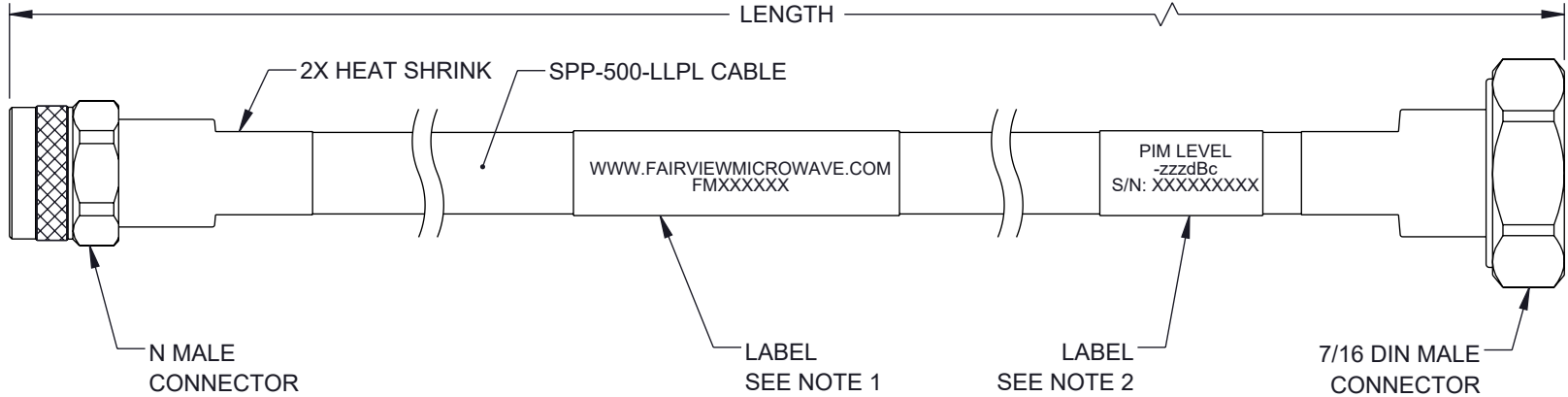


6 5 4 3 2 1

REVISION					
ZONE	REV	DESCRIPTION	DATE	CHANGED BY	APPROVED
	A	INITIAL RELEASE	02/17/2023	DZINN	AGANWANI



NOTES:

1. CABLE ASSY LENGTH LABEL PLACEMENT: 84 INCH OR LESS, ONE LABEL APPROX CENTERED. LONGER THAN 84 INCH, TWO LABELS APPROX 12 INCHES FROM EACH CONNECTOR.
2. 6 INCH FROM CABLE END, 1 PLACE, FOR ALL CABLE LENGTHS.
3. CABLE ASSEMBLIES SHALL BE TESTED FOR CONTINUITY.

THE INFORMATION CONTAINED IN THIS DRAWING IS THE SOLE PROPERTY OF INFINITE ELECTRONICS, INC. ANY REPRODUCTION IN PART OR WHOLE WITHOUT THE WRITTEN PERMISSION OF INFINITE ELECTRONICS, INC. IS PROHIBITED. THESE COMMODITIES, TECHNOLOGY OR SOFTWARE WERE EXPORTED FROM THE UNITED STATES IN ACCORDANCE WITH THE EXPORT ADMINISTRATION REGULATIONS. DIVERSION CONTRARY TO U.S. LAW PROHIBITED.

UNLESS OTHERWISE SPECIFIED LEADING DIMENSIONS ARE INCHES DIMENSIONS IN [] ARE MILLIMETERS TOLERANCES: .X = ±.2 [.5] FRACTIONS ± 1/32 .XX = ±.02 [.5] ANGLES ± 1° .XXX = ±.005 [.13] CABLE LENGTH TOLERANCES: ≤12 [305] = +1 [25] / -0 >12 [305] ≤ 60 [1524] = +2 [51] / -0 >60 [1524] ≤ 120 [3048] = +4 [102] / -0 >120 [3048] ≤ 300 [7620] = +6 [152] / -0 >300 [7620] = +5% / -0 ALL DIMENSIONS ARE FOR REFERENCE ONLY AND SUBJECT TO CHANGE WITHOUT NOTICE.		<p>Fairview Microwave an INFINITE brand</p> <p>Website: www.FairviewMicrowave.com Phone: 1.800.715.4396 1.972.649.6678</p>		<p>INTERPRET ALL DIMENSIONS AND TOLERANCES PER ASME Y14.5</p> <p>SCALE: NONE SHEET: 1 OF 1</p>	
DESCRIPTION PLENUM LOW PIM N MALE TO 7/16 DIN MALE CABLE SPP-500-LLPL COAX WITH TIMES MICROWAVE COMPONENTS					
SIZE	CAGE CODE	DRAWN BY	ITEM NO.	REV	
A	3FKR5	DZINN	FMC00877	A	

6 5 4 3 2 1