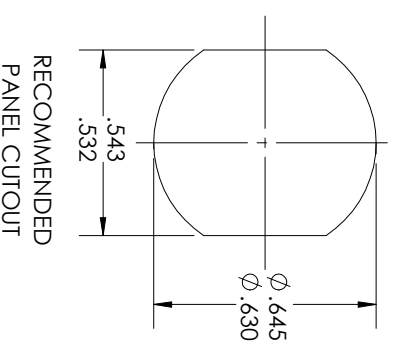


STANDARD TOLERANCES
.X ±0.2
.XX ±0.01
.XXX ±0.005

- NOTES:
1. BLACK HEAT SHRINK WITH WHITE MARKINGS 3 PLACES.
- *STANDARD TOLERANCES APPLY ONLY TO DIMENSIONS IN INCHES



FAIRVIEW MICROWAVE INC.

ALLEN, TX 75013 WWW.FAIRVIEWMICROWAVE.COM

TITLE		DWG NO		CAGE CODE	
		FMCA1697		3FKR5	
CAD FILE	07/17/18	SHEET		SCALE	N/A
				SIZE	A
					CN2379

- NOTES:
1. UNLESS OTHERWISE SPECIFIED ALL DIMENSIONS ARE NOMINAL.
 2. ALL SPECIFICATIONS ARE SUBJECT TO CHANGE WITHOUT NOTICE AT ANY TIME.
 3. DIMENSIONS ARE IN INCHES [mm].