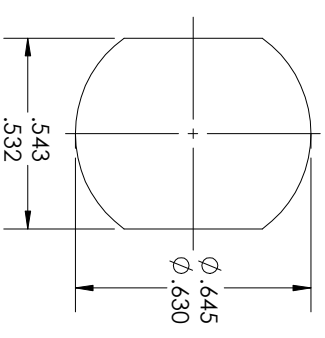


RECOMMENDED
PANEL CUTOUT



RECOMMENDED
PANEL CUTOUT

STANDARD TOLERANCES

.X ± 0.2

.XX ± 0.01

.XXX ± 0.005

NOTES:

1. BLACK HEAT SHRINK WITH WHITE MARKINGS 3 PLACES.
- *STANDARD TOLERANCES APPLY ONLY TO DIMENSIONS IN INCHES.

FAIRVIEW MICROWAVE INC.

ALLEN, TX 75013 WWW.FAIRVIEWMICROWAVE.COM

NOTES:
1. UNLESS OTHERWISE SPECIFIED ALL DIMENSIONS ARE NOMINAL.
2. ALL SPECIFICATIONS ARE SUBJECT TO CHANGE WITHOUT NOTICE AT ANY TIME.
3. DIMENSIONS ARE IN INCHES [mm].

TITLE		DWG NO		CAGE CODE	
		FMCA1712		3FKR5	
CAD FILE	07/18/18	SHEET		SCALE	N/A
				SIZE	A
					CN2379