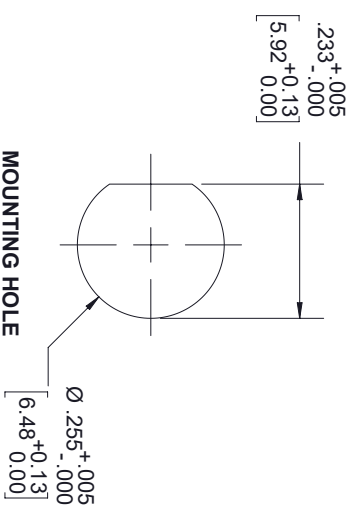
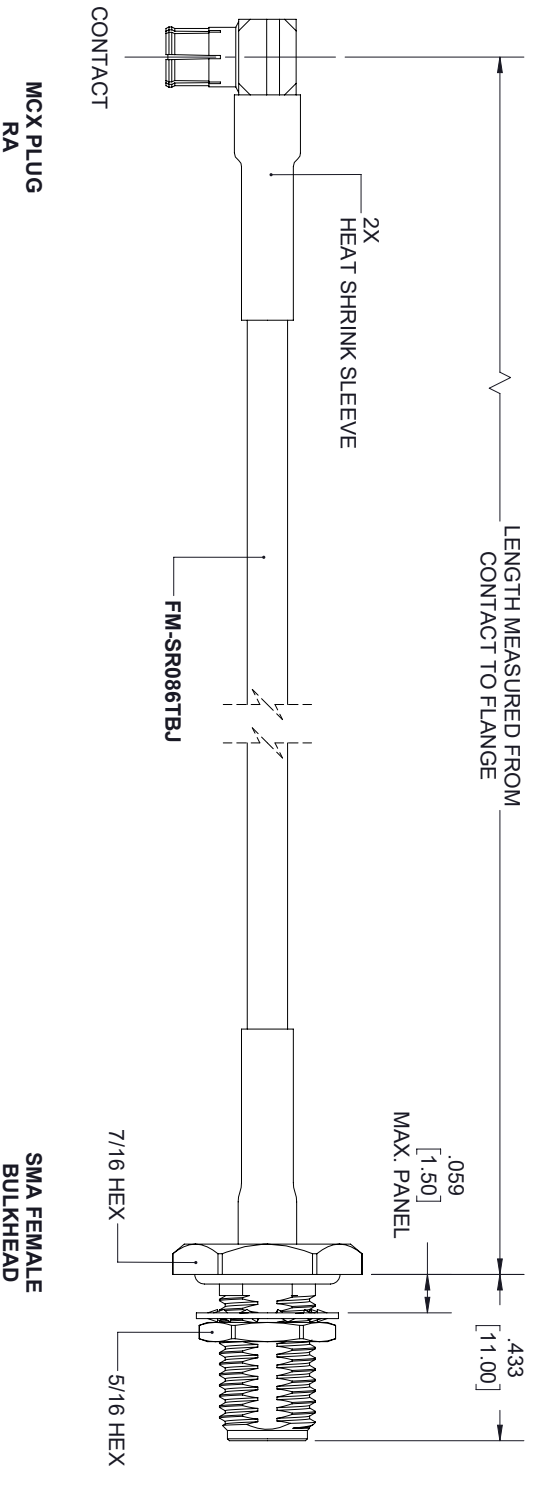


REVISIONS			
REV.	DESCRIPTION	DATE	APPROVED
A	INITIAL RELEASE	11/27/19	S ELLIS



THESE COMMODITIES, TECHNOLOGY OR SOFTWARE WERE EXPORTED FROM THE UNITED STATES IN ACCORDANCE WITH THE EXPORT ADMINISTRATION REGULATIONS, DIVERSION CONTRARY TO U.S. LAW PROHIBITED.



TITLE

UNLESS OTHERWISE SPECIFIED LEADING DIMENSIONS ARE INCHES DIMENSIONS IN [] ARE MILLIMETERS				THIRD-ANGLE PROJECTION			
TOLERANCES:				THE INFORMATION AND DESIGN IN THIS DOCUMENT IS THE PROPERTY OF FAIRVIEW MICROWAVE CORPORATION. ALL RIGHTS RESERVED.			
CABLE LENGTH (L) TOLERANCES:				SCALE			
X = ±.2 [5.08]		FRACTIONS ± 1/32		L ≤ 12 [305] = +1 [25] / -0		N/A	
XX = ±.02 [51]		ANGLES ± 1°		12 [305] < L ≤ 60 [1524] = +2 [51] / -0		SHEET 1 OF 1	
XXX = ±.005 [13]				60 [1524] < L ≤ 120 [3048] = +4 [102] / -0		REV A	
				120 [3048] < L ≤ 300 [7620] = +6 [152] / -0			
				300 [7620] < L = +5%L / -0			
SIZE	GAGE CODE	DRAWN BY	PART NUMBER	SCALE			
A	3FKR5	K.DANG	FMCA2121	N/A			