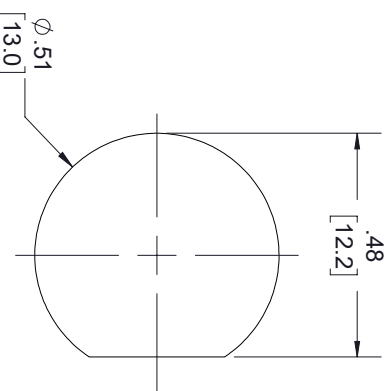
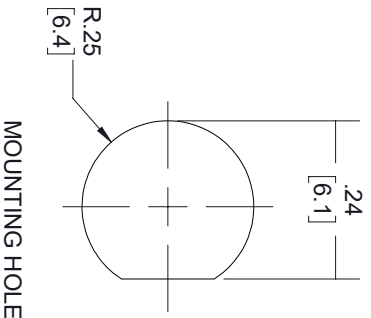
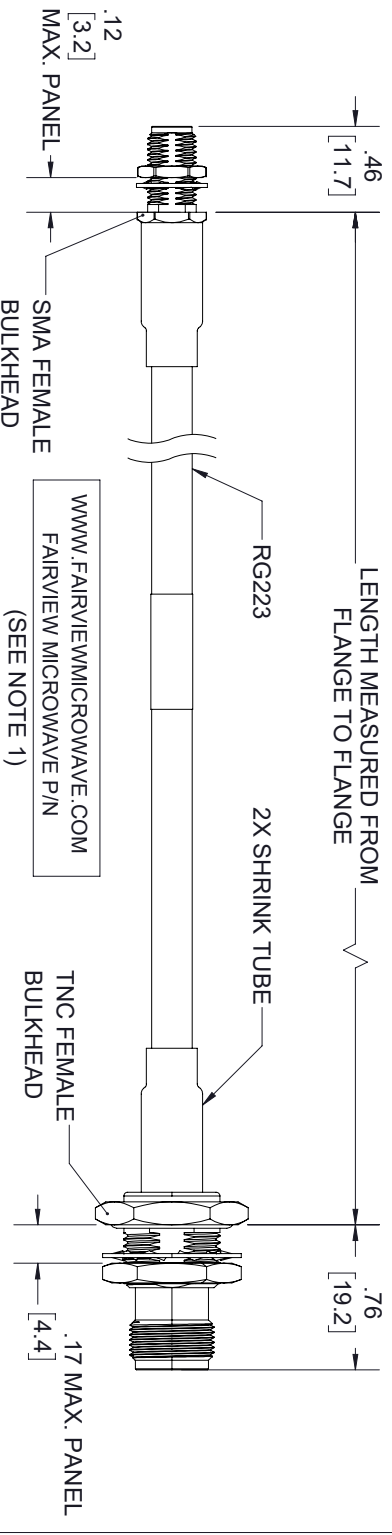


REVISIONS			
REV.	DESCRIPTION	DATE	APPROVED
A	INITIAL RELEASE	02/21/2022	AGANWANI



- NOTES:
- CABLES 36" AND UNDER HAVE 1 LABEL CENTERED. CABLES OVER 36" HAVE 2 LABELS, ONE AT EACH END 6.0" FROM THE FRONT OF THE CONNECTOR.

THESE COMMODITIES, TECHNOLOGY OR SOFTWARE WERE EXPORTED FROM THE UNITED STATES IN ACCORDANCE WITH THE EXPORT ADMINISTRATION REGULATIONS, DIVERSION CONTRARY TO U.S. LAW PROHIBITED.



TITLE

UNLESS OTHERWISE SPECIFIED LEADING DIMENSIONS ARE INCHES				THIRD-ANGLE PROJECTION	
DIMENSIONS IN [] ARE MILLIMETERS					
TOLERANCES:				THE INFORMATION AND DESIGN IN THIS DOCUMENT IS THE PROPERTY OF FAIRVIEW MICROWAVE CORPORATION. ALL RIGHTS RESERVED.	
CABLE LENGTH (L) TOLERANCES:		CABLE LENGTH (L) TOLERANCES:		SHEET 1 OF 1	
L ± 1/2 (805) = +1 (25) / -0		L ± 1/2 (805) = +1 (25) / -0		SCALE N/A	
12 (305) < L ≤ 60 (1524) = +2 (51) / -0		12 (305) < L ≤ 60 (1524) = +2 (51) / -0		REV A	
60 (1524) < L ≤ 120 (3048) = +4 (102) / -0		60 (1524) < L ≤ 120 (3048) = +4 (102) / -0		DRAWN BY MVEERAPPAN	
120 (3048) < L ≤ 300 (7620) = +6 (152) / -0		120 (3048) < L ≤ 300 (7620) = +6 (152) / -0		ITEM NO. FMC2752	
300 (7620) < L = +5%L / -0		300 (7620) < L = +5%L / -0		GAGE CODE 3FKRS	
FRACTIONS ± 1/32		FRACTIONS ± 1/32		SIZE A	
XXX = ±.005 [.13]		ANGLES ± 1°		ALL DIMENSIONS SHOWN ARE FOR REFERENCE ONLY.	