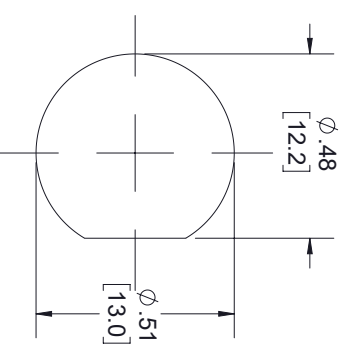
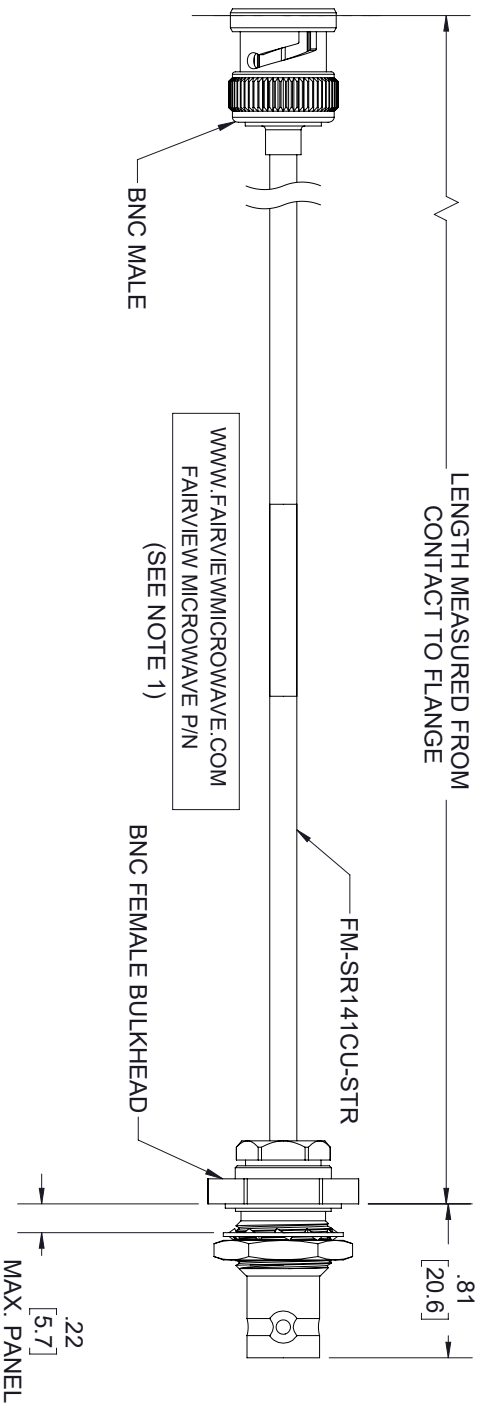


REVISIONS			
REV.	DESCRIPTION	DATE	APPROVED
A	INITIAL RELEASE	07/02/2022	AGANWANI



- NOTES:
1. CABLES 36" AND UNDER HAVE 1 LABEL CENTERED.
CABLES OVER 36" HAVE 2 LABELS, ONE AT EACH END
6.0" FROM THE FRONT OF THE CONNECTOR.

THESE COMMODITIES, TECHNOLOGY OR SOFTWARE WERE EXPORTED FROM THE UNITED STATES IN ACCORDANCE WITH THE EXPORT ADMINISTRATION REGULATIONS, DIVERSION CONTRARY TO U.S. LAW PROHIBITED.



TITLE

UNLESS OTHERWISE SPECIFIED LEADING DIMENSIONS ARE INCHES DIMENSIONS IN [] ARE MILLIMETERS		THIRD-ANGLE PROJECTION																
TOLERANCES:		THE INFORMATION AND DESIGN IN THIS DOCUMENT IS THE PROPERTY OF FAIRVIEW MICROWAVE CORPORATION. ALL RIGHTS RESERVED.																
CABLE LENGTH (L) TOLERANCES:		<table border="1"> <tr> <td>L ≤ 12 [305]</td> <td>± 1 [25]</td> <td>/ -0</td> </tr> <tr> <td>12 [305] < L ≤ 60 [1524]</td> <td>± 2 [51]</td> <td>/ -0</td> </tr> <tr> <td>60 [1524] < L ≤ 120 [3048]</td> <td>± 4 [102]</td> <td>/ -0</td> </tr> <tr> <td>120 [3048] < L ≤ 300 [7620]</td> <td>± 6 [152]</td> <td>/ -0</td> </tr> <tr> <td>300 [7620] < L</td> <td>± 5%</td> <td>/ -0</td> </tr> </table>	L ≤ 12 [305]	± 1 [25]	/ -0	12 [305] < L ≤ 60 [1524]	± 2 [51]	/ -0	60 [1524] < L ≤ 120 [3048]	± 4 [102]	/ -0	120 [3048] < L ≤ 300 [7620]	± 6 [152]	/ -0	300 [7620] < L	± 5%	/ -0	SHEET
L ≤ 12 [305]	± 1 [25]	/ -0																
12 [305] < L ≤ 60 [1524]	± 2 [51]	/ -0																
60 [1524] < L ≤ 120 [3048]	± 4 [102]	/ -0																
120 [3048] < L ≤ 300 [7620]	± 6 [152]	/ -0																
300 [7620] < L	± 5%	/ -0																
ALL DIMENSIONS SHOWN ARE FOR REFERENCE ONLY.	SCALE	N/A	OF 1															
SIZE	GAGE CODE	DRAWN BY	ITEM NO.															
A	3FKRS	PSRINIVAS	FMCA2805															
			REV															
			A															