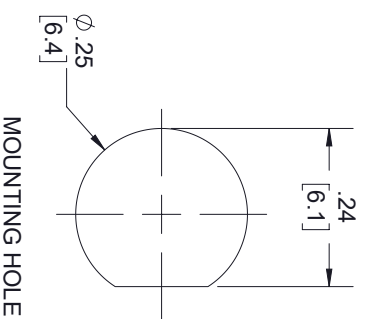
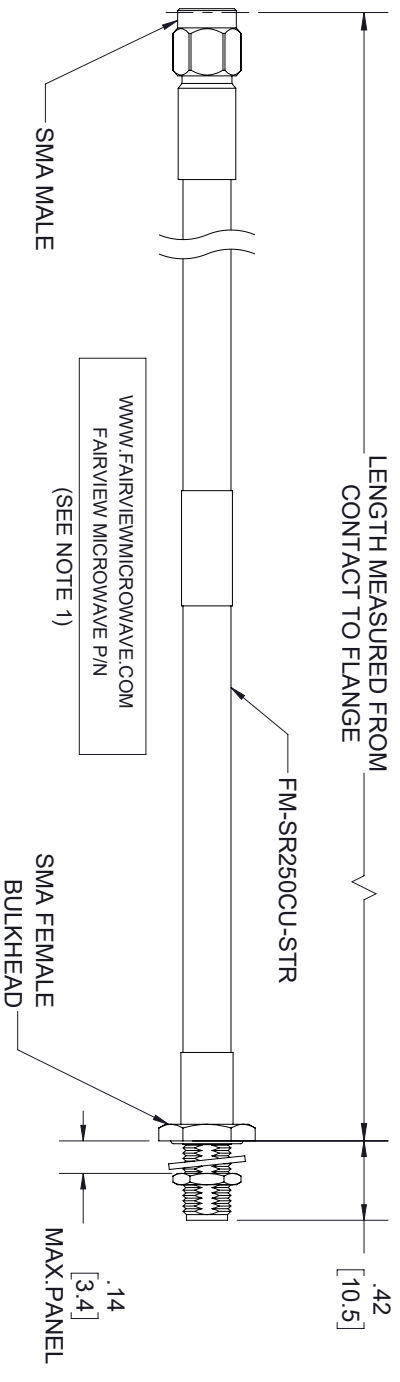


| REVISIONS | | | |
|-----------|-----------------|----------|----------|
| REV. | DESCRIPTION | DATE | APPROVED |
| A | INITIAL RELEASE | 07/05/22 | AGANWANI |



- NOTES:
- CABLES 36" AND UNDER HAVE 1 LABEL CENTERED. CABLES OVER 36" HAVE 2 LABELS, ONE AT EACH END 6.0" FROM THE FRONT OF THE CONNECTOR.

THESE COMMODITIES, TECHNOLOGY OR SOFTWARE WERE EXPORTED FROM THE UNITED STATES IN ACCORDANCE WITH THE EXPORT ADMINISTRATION REGULATIONS, DIVERSION CONTRARY TO U.S. LAW PROHIBITED.



| | | | |
|---|-----------|---|---|
| UNLESS OTHERWISE SPECIFIED LEADING DIMENSIONS ARE INCHES DIMENSIONS IN [] ARE MILLIMETERS | | THIRD-ANGLE PROJECTION | |
| TOLERANCES: | | THE INFORMATION AND DESIGN IN THIS DOCUMENT IS THE PROPERTY OF FAIRVIEW MICROWAVE CORPORATION. ALL RIGHTS RESERVED. | |
| CABLE LENGTH (L) TOLERANCES: | | | |
| X = ±.2 | [.008] | FRACTIONS | L ≤ 12 [806] = +1 [25] / -0 |
| XX = ±.02 | [.51] | ± 1/32 | 12 [130] < L ≤ 60 [1524] = +2 [51] / -0 |
| XXX = ±.005 | [.13] | ANGLES ± 1° | 60 [1524] < L ≤ 120 [3048] = +4 [102] / -0 |
| | | | 120 [3048] < L ≤ 300 [7620] = +6 [152] / -0 |
| | | | 300 [7620] < L = +5%L / -0 |
| ALL DIMENSIONS SHOWN ARE FOR REFERENCE ONLY. | SCALE | N/A | |
| SIZE | GAGE CODE | DRAWN BY | ITEM NO. |
| A | 3FKRS | VTHANGARAJ | FMCA3117 |
| | | REV | A |