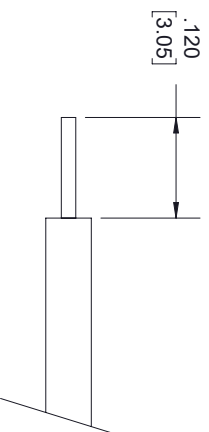
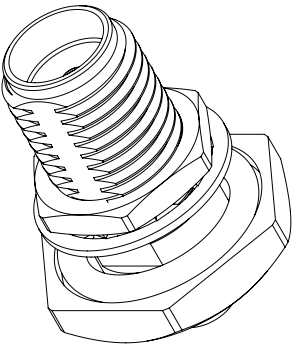
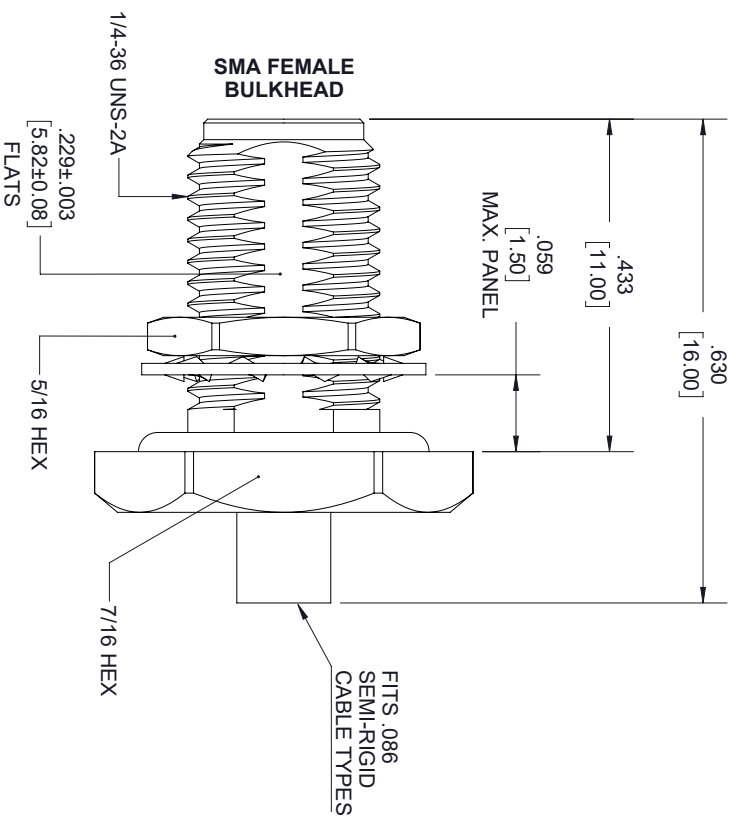
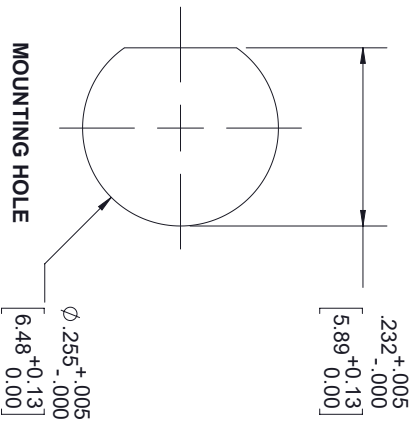


REVISIONS			
REV.	DESCRIPTION	DATE	APPROVED
A	FOR PE44690	12/24/2019	S ELLIS



### STRIPPING DIMENSIONS

- NOTES:
- CABLE ATTACHMENT:
    - OUTER: SOLDER.
    - INNER: SOLDER.

THESE COMMODITIES, TECHNOLOGY OR SOFTWARE WERE EXPORTED FROM THE UNITED STATES IN ACCORDANCE WITH THE EXPORT ADMINISTRATION REGULATIONS, DIVERSION CONTRARY TO U.S. LAW PROHIBITED.



TITLE

UNLESS OTHERWISE SPECIFIED LEADING DIMENSIONS ARE INCHES  
DIMENSIONS IN [ ] ARE MILLIMETERS  
TOLERANCES:

CABLE LENGTH (L) TOLERANCES:



$X = \pm .2$  [5.08] FRACTIONS  
 $XX = \pm .02$  [.51]  $\pm 1/32$   
 $XXX = \pm .005$  [.13] ANGLES  $\pm 1^\circ$

$L \leq 12$  [305] =  $\pm 1/25$  / -0  
 $12 < L \leq 60$  [1524] =  $\pm 2/51$  / -0  
 $60 < L \leq 120$  [3048] =  $\pm 4/103$  / -0  
 $120 < L \leq 300$  [7620] =  $\pm 6/152$  / -0  
 $300 < L$  [7620] <  $L = +5\%$  / -0

THE INFORMATION AND DESIGN IN THIS DOCUMENT IS THE PROPERTY OF FAIRVIEW MICROWAVE CORPORATION. ALL RIGHTS RESERVED.

SHEET 1 OF 1

ALL DIMENSIONS SHOWN ARE FOR REFERENCE ONLY.

SCALE

SIZE

A

CAGE CODE  
3FKRS

DRAWN BY  
K.DANG

ITEM NO.

FMCN1156

REV

A