

6

5

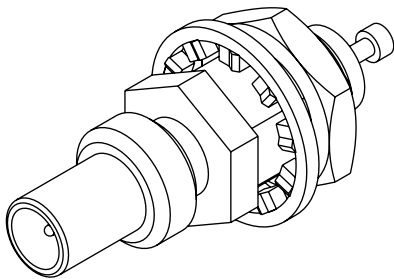
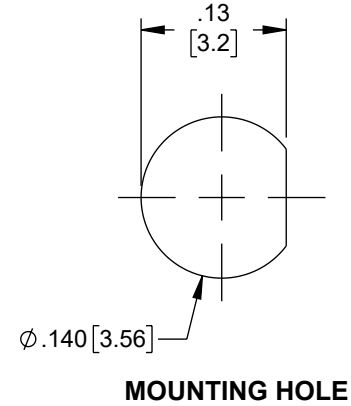
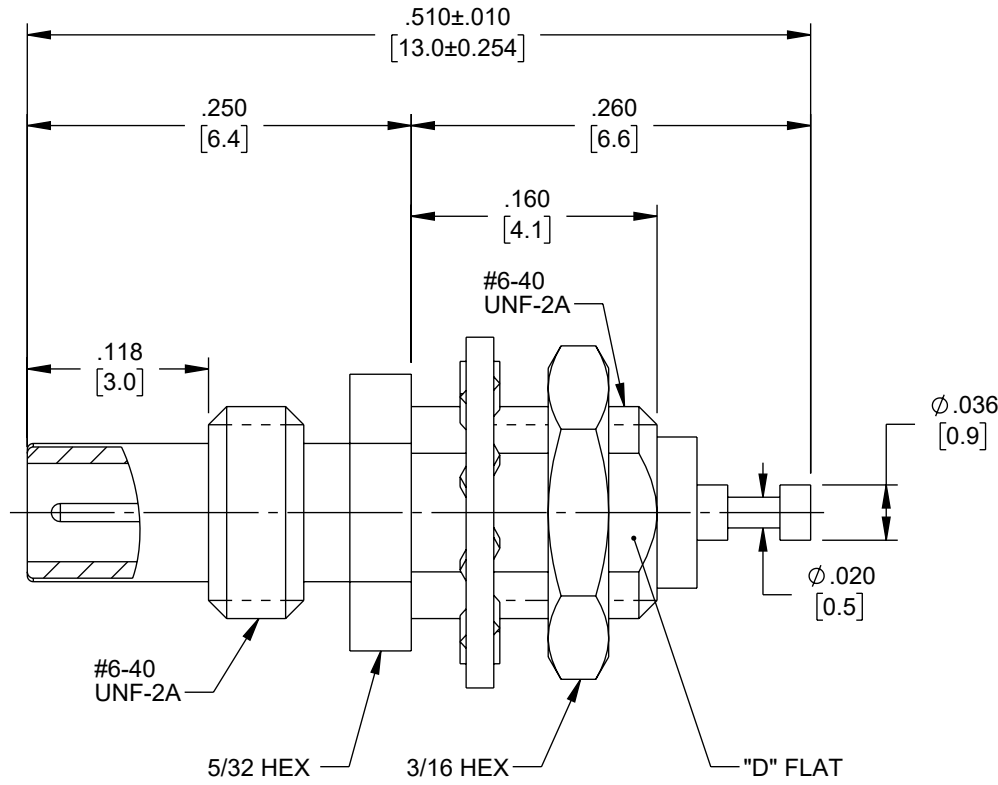
4

3

2

1

REVISION					
ZONE	REV	DESCRIPTION	DATE	CHANGED BY	APPROVED
	B	Updated as per ECO-12306	08/24/2023	PSRINIVAS	SRAUTUS



THE INFORMATION CONTAINED IN THIS DRAWING IS THE SOLE PROPERTY OF INFINITE ELECTRONICS, INC. ANY REPRODUCTION IN PART OR WHOLE WITHOUT THE WRITTEN PERMISSION OF INFINITE ELECTRONICS, INC. IS PROHIBITED. THESE COMMODITIES, TECHNOLOGY OR SOFTWARE WERE EXPORTED FROM THE UNITED STATES IN ACCORDANCE WITH THE EXPORT ADMINISTRATION REGULATIONS. DIVERSION CONTRARY TO U.S. LAW PROHIBITED.

UNLESS OTHERWISE SPECIFIED LEADING DIMENSIONS ARE INCHES DIMENSIONS IN [ ] ARE MILLIMETERS

TOLERANCES:

X =  $\pm .2$  [5]      FRACTIONS  
 .XX =  $\pm .02$  [0.5]       $\pm 1/32$   
 .XXX =  $\pm .005$  [0.13]      ANGLES  $\pm 1^\circ$

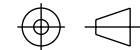
CABLE LENGTH TOLERANCES:

$\leq 12$  [305] =  $+1$  [25] / -0  
 $>12$  [305]  $\leq 60$  [1524] =  $+2$  [51] / -0  
 $>60$  [1524]  $\leq 120$  [3048] =  $+4$  [102] / -0  
 $>120$  [3048]  $\leq 300$  [7620] =  $+6$  [152] / -0  
 $>300$  [7620] =  $+5\%$  / -0

ALL DIMENSIONS ARE FOR REFERENCE ONLY AND SUBJECT TO CHANGE WITHOUT NOTICE. UN-DIMENSIONED/NON-CRITICAL FEATURES MAY VARY IN SIZE AND LOCATION. COLORS MAY VARY.



Website: [www.FairviewMicrowave.com](http://www.FairviewMicrowave.com)  
 Phone: 1.800.715.4396 | 1.972.649.6678



SCALE	SHEET
NONE	1 OF 1

DESCRIPTION  
**SSMC JACK BULKHEAD MOUNT CONNECTOR SOLDER ATTACHMENT TURRET TERMINAL**

SIZE	CAGE CODE	DRAWN BY	ITEM NO.	REV
A	3FKR5	KDANG	FMCN1275	B

6

5

4

3

2

1