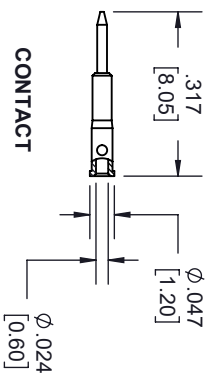
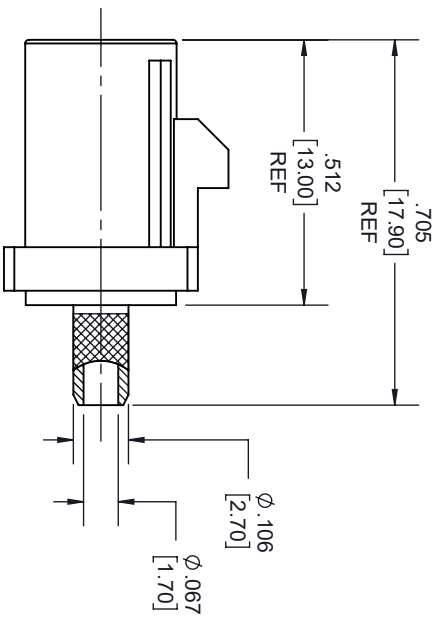
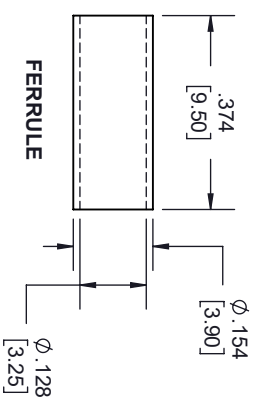


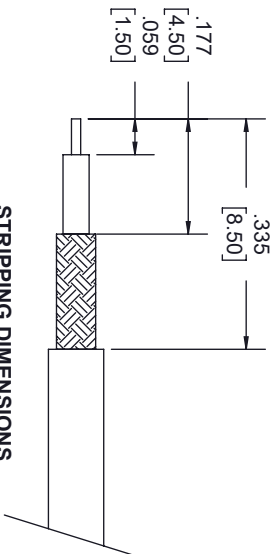
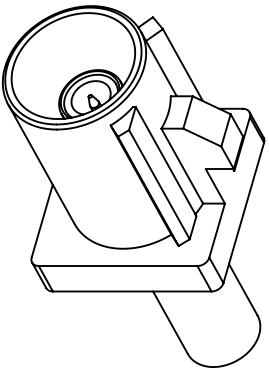
**FAKRA PLUG  
A CODING  
BLACK**



**CONTACT**



**FERRULE**



**STRIPPING DIMENSIONS**

- NOTES:**
- CABLE ATTACHMENT:**
    - OUTER: CRIMP.
    - INNER: SOLDER.
  - CRIMP SIZE REQUIRED:**
    - FERRULE: .128 [3.25] HEX. CRIMP TOOL
    - CONTACT: SOLDER.

**STANDARD TOLERANCES**  
 .X ±0.2  
 .XX ±0.01  
 .XXX ±0.005

\*STANDARD TOLERANCES APPLY ONLY TO DIMENSIONS IN INCHES

FAKRA CONFIGURATION			
CODING	PLUG	COLOR	APPLICATION
A		BLACK	RADIO WITH PHANTOM SUPPLY
B		WHITE	RADIO WITHOUT PHANTOM SUPPLY
C		BLUE	GPS. TELEMATICS OR NAVIGATION
D		BORDEAUX	GSM. CELLULAR PHONE
H		VIOLET	GPS. TELEMATICS AND NAVIGATION
I		BEIGE	BLUETOOTH
K		CURRY	RADIO WITH IF OUTPUT (ANTENNA DIVERSITY)
Z		WATER BLUE	NEUTRAL CODING

**Fairview Microwave**  
 an INFINIT@ brand

**NOTES:**  
 1. UNLESS OTHERWISE SPECIFIED ALL DIMENSIONS ARE NOMINAL.  
 2. ALL SPECIFICATIONS ARE SUBJECT TO CHANGE WITHOUT NOTICE AT ANY TIME.  
 3. DIMENSIONS ARE IN INCHES [mm].

TITLE

DWG NO

FMCN1349A

CAGE CODE

3FKR5

CAD FILE 09/22/19

SHEET 1 OF 1

SCALE N/A

SIZE A

7361