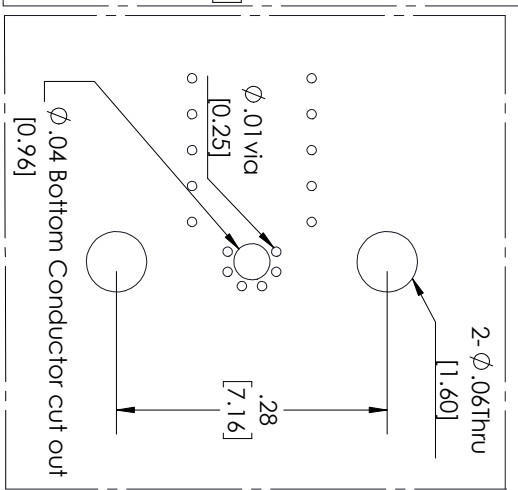
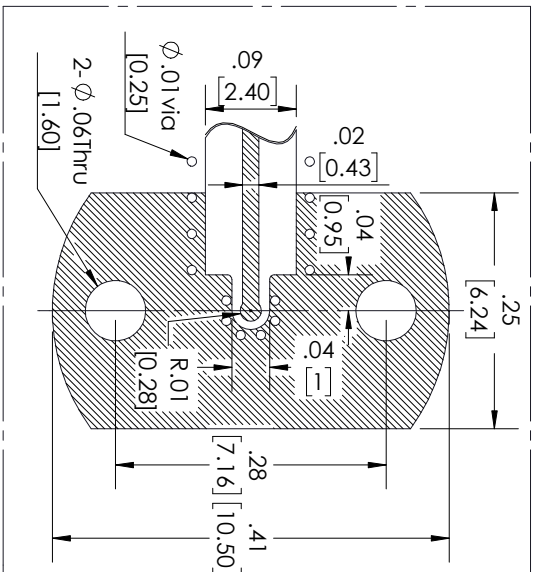


DETAIL A

Recommended Top PCB Pattern

Recommended Bottom PCB Pattern



STANDARD TOLERANCES
 .X ± 0.2
 .XX ± 0.101
 .XXX ± 0.005

* PCB : R04003C 8mil

*STANDARD TOLERANCES APPLY ONLY TO DIMENSIONS IN INCHES

FAIRVIEW MICROWAVE INC.

ALLEN, TX 75013 WWW.FAIRVIEWMICROWAVE.COM

NOTES:
 1. UNLESS OTHERWISE SPECIFIED ALL DIMENSIONS ARE NOMINAL.
 2. ALL SPECIFICATIONS ARE SUBJECT TO CHANGE WITHOUT NOTICE AT ANY TIME.
 3. DIMENSIONS ARE IN INCHES [mm].

TITLE		DWG NO		CAGE CODE	
FMCN1480		3FKR5			
CAD FILE	06/04/18	SHEET	SCALE	N/A	SIZE
					A
					CN2379