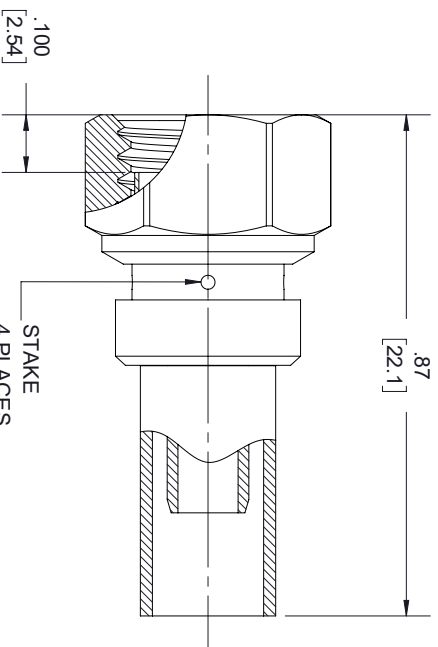
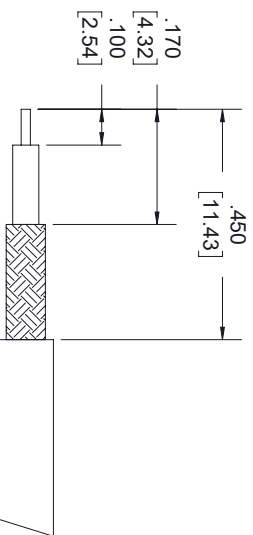
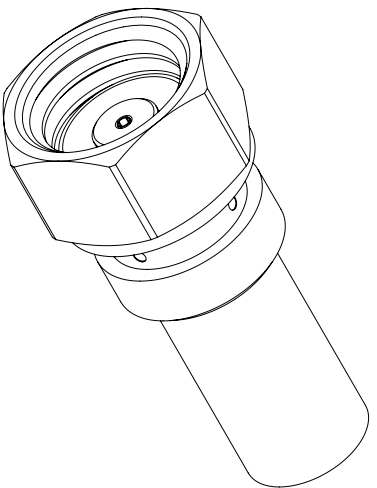


3/8
HEX



75 Ω
SMC PLUG



STRIPPING DIMENSIONS

- NOTES:
- CABLE ATTACHMENT:
 - OUTER: CRIMP.
 - INNER: SOLDER.
 - CRIMP SIZE REQUIRED:
 - FERRULE: .178 [4.52] HEX. CRIMP TOOL.
 - CONTACT: SOLDER.

- NOTES:
- INSULATOR MUST WITHSTAND 6 LBS. PUSH WITHOUT MOVING.

STANDARD TOLERANCES
 .X ±0.2
 .XX ±0.01
 .XXX ±0.005

*STANDARD TOLERANCES APPLY ONLY TO DIMENSIONS IN INCHES



NOTES:
 1. UNLESS OTHERWISE SPECIFIED ALL DIMENSIONS ARE NOMINAL.
 2. ALL SPECIFICATIONS ARE SUBJECT TO CHANGE WITHOUT NOTICE AT ANY TIME.
 3. DIMENSIONS ARE IN INCHES [mm].

| | | | | | |
|----------|----------|----------|--------|-----------|------|
| TITLE | | DWG NO | | CAGE CODE | |
| | | FMCN1549 | | 3FKR5 | |
| CAD FILE | 06/07/19 | SHEET | 1 OF 1 | SCALE | N/A |
| | | | | SIZE | A |
| | | | | | 7361 |