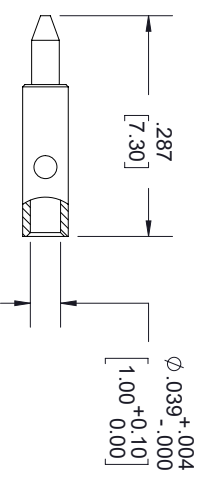
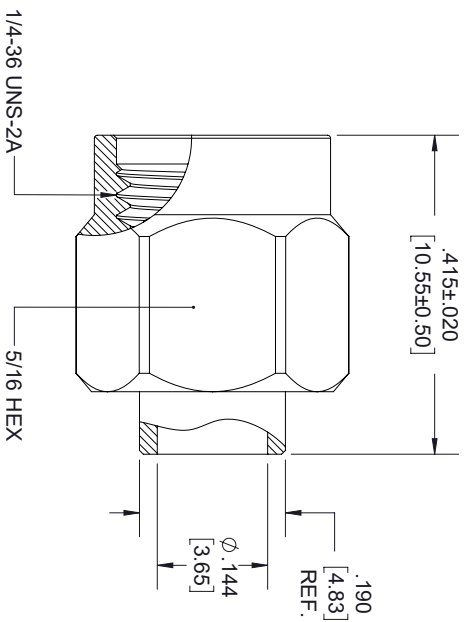
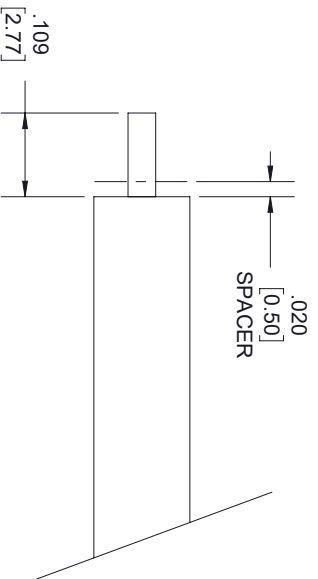


REVISIONS			
REV.	DESCRIPTION	DATE	APPROVED
A	INITIAL RELEASE	12/09/19	S ELLIS



CONTACT

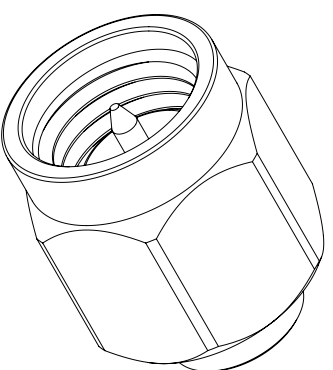
SMA MALE



STRIPPING DIMENSIONS

NOTES:

- CABLE ATTACHMENT:
 - OUTER: SOLDER
 - INNER: SOLDER.



THESE COMMODITIES, TECHNOLOGY OR SOFTWARE WERE EXPORTED FROM THE UNITED STATES IN ACCORDANCE WITH THE EXPORT ADMINISTRATION REGULATIONS, DIVERSION CONTRARY TO U.S. LAW PROHIBITED.



TITLE

UNLESS OTHERWISE SPECIFIED LEADING DIMENSIONS ARE INCHES DIMENSIONS IN [] ARE MILLIMETERS				THIRD-ANGLE PROJECTION	
TOLERANCES:				THE INFORMATION AND DESIGN IN THIS DOCUMENT IS THE PROPERTY OF FAIRVIEW MICROWAVE CORPORATION. ALL RIGHTS RESERVED.	
CABLE LENGTH (L) TOLERANCES:		CABLE LENGTH (L) TOLERANCES:		SHEET 1 OF 1	
L ± 1/2 (806) = +1 (25) / -0		L ± 1/2 (806) = +1 (25) / -0		SCALE N/A	
12 (305) < L ≤ 60 (1524) = +2 (51) / -0		12 (305) < L ≤ 60 (1524) = +2 (51) / -0		REV A	
60 (1524) < L ≤ 120 (3048) = +4 (102) / -0		60 (1524) < L ≤ 120 (3048) = +4 (102) / -0		DRAWN BY K.DANG	
120 (3048) < L ≤ 300 (7620) = +6 (152) / -0		120 (3048) < L ≤ 300 (7620) = +6 (152) / -0		PART NUMBER FMCN1587	
300 (7620) < L = +5% / L / -0		300 (7620) < L = +5% / L / -0		GAGE CODE 3FKRS	
X = ± 2 (508)		FRACTIONS ± 1/32		SIZE A	
XX = ± 0.02 (51)		ANGLES ± 1°		ALL DIMENSIONS SHOWN ARE FOR REFERENCE ONLY.	
XXX = ± 0.005 (13)					