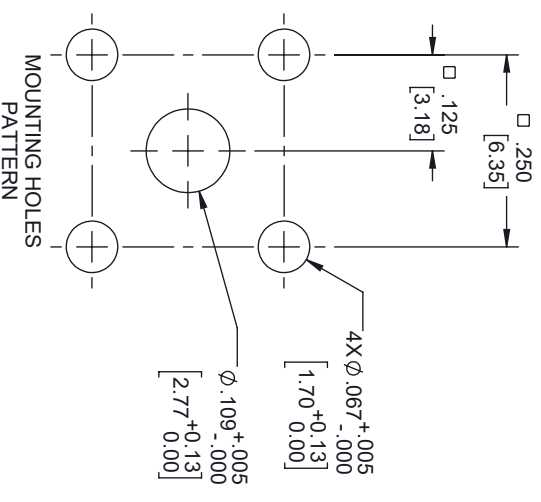
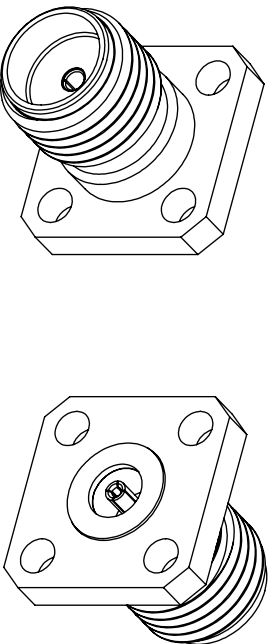
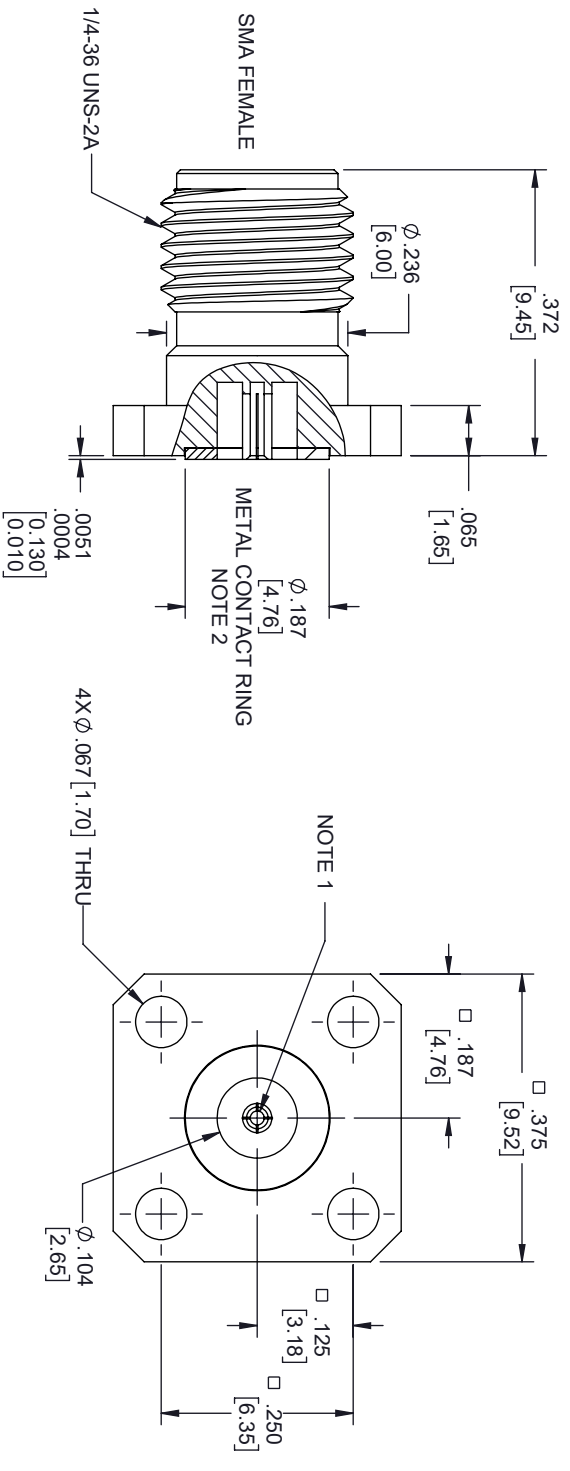


| REVISIONS | | | |
|-----------|-----------------|-----------|----------|
| REV. | DESCRIPTION | DATE | APPROVED |
| A | INITIAL RELEASE | 3/26/2020 | S. ELLIS |



- NOTES:
- FEMALE CONTACT ACCEPTS PIN SIZE $\phi .018 [0.46]$ T. $.100 [2.55]$ MAX.
 - SEPARATE METAL CONTACT RING (PASSIVATED).

THESE COMMODITIES, TECHNOLOGY OR SOFTWARE WERE EXPORTED FROM THE UNITED STATES IN ACCORDANCE WITH THE EXPORT ADMINISTRATION REGULATIONS, DIVERSION CONTRARY TO U.S. LAW PROHIBITED.



TITLE

| | | | | | |
|--|-----------|------------------------------|------------------|---|-----|
| UNLESS OTHERWISE SPECIFIED LEADING DIMENSIONS ARE INCHES | | | | THIRD-ANGLE PROJECTION | |
| DIMENSIONS IN [] ARE MILLIMETERS | | | | | |
| TOLERANCES: | | | | THE INFORMATION AND DESIGN IN THIS DOCUMENT IS THE PROPERTY OF FAIRVIEW MICROWAVE CORPORATION. ALL RIGHTS RESERVED. | |
| FRACTIONS | | CABLE LENGTH (L) TOLERANCES: | | SCALE | |
| X = +.2 | [.008] | L ≤ 12 [305] | = +1 [25] / -0 | 1 | |
| XX = +.02 | [.51] | 60 [1524] < L ≤ 120 [3048] | = +.4 [102] / -0 | OF | |
| XXX = +.005 | [.13] | 120 [3048] < L ≤ 300 [7620] | = +.6 [152] / -0 | 1 | |
| ANGLES ± 1° | | 300 [7620] | < L = +5%L / -0 | 1 | |
| ALL DIMENSIONS SHOWN ARE FOR REFERENCE ONLY. | | | | N/A | |
| SIZE | GAGE CODE | DRAWN BY | ITEM NO. | REV | REV |
| A | 3FKRS | DZINN | FMCN1613 | | A |