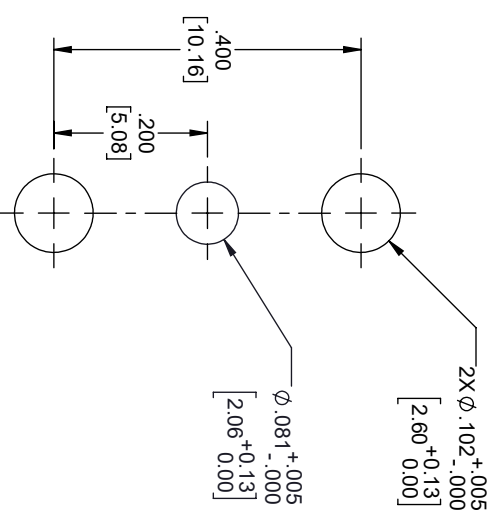
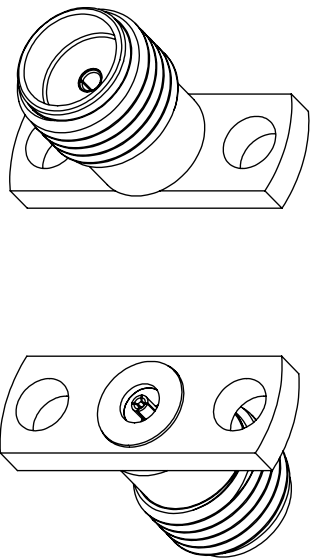
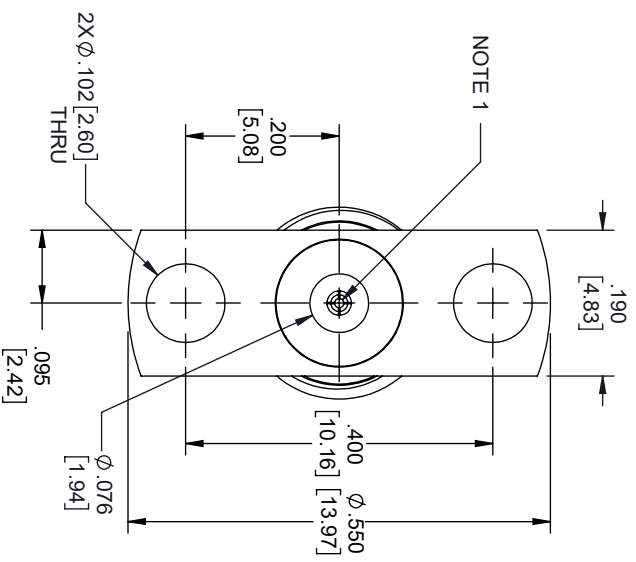
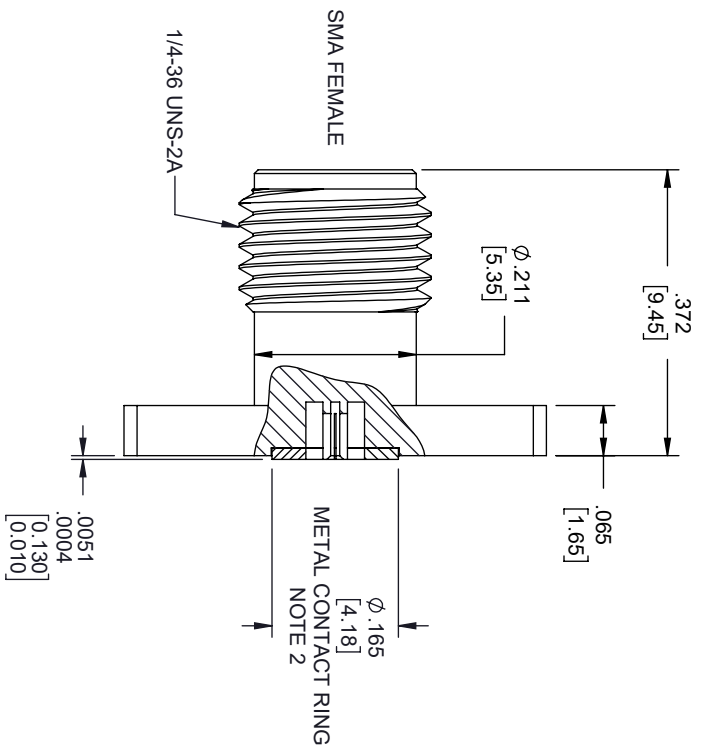


REVISIONS			
REV.	DESCRIPTION	DATE	APPROVED
A	INITIAL RELEASE	4/1/2020	S. ELLIS



MOUNTING HOLES  
PATTERN

- NOTES:
- FEMALE CONTACT ACCEPTS PIN SIZE  $\phi .012$  [0.30]  $\nabla .075$  [1.90] MAX.
  - SEPARATE METAL CONTACT RING (PASSIVATED).

THESE COMMODITIES, TECHNOLOGY OR SOFTWARE WERE EXPORTED FROM THE UNITED STATES IN ACCORDANCE WITH THE EXPORT ADMINISTRATION REGULATIONS, DIVERSION CONTRARY TO U.S. LAW PROHIBITED.



TITLE

UNLESS OTHERWISE SPECIFIED LEADING DIMENSIONS ARE INCHES  
DIMENSIONS IN [ ] ARE MILLIMETERS

TOLERANCES:

X = +.2 [5.08]  
XX = +.02 [51]  
XXX = +.005 [13]

FRACTIONS  
 $\pm 1/32$   
ANGLES  $\pm 1^\circ$

CABLE LENGTH (L) TOLERANCES:

L  $\leq 12$  [305] = +1 [25] / -0  
12 [305] < L  $\leq 60$  [1524] = +2 [51] / -0  
60 [1524] < L  $\leq 120$  [3048] = +4 [102] / -0  
120 [3048] < L  $\leq 300$  [7620] = +6 [152] / -0  
300 [7620] < L = +5%L / -0

THIRD-ANGLE PROJECTION  
THE INFORMATION AND DESIGN IN THIS DOCUMENT IS THE PROPERTY OF FAIRVIEW MICROWAVE CORPORATION. ALL RIGHTS RESERVED.

SHEET 1 OF 1

ALL DIMENSIONS SHOWN ARE FOR REFERENCE ONLY.

SCALE

SIZE GAGE CODE

A 3FKR5

DRAWN BY  
DZINN

ITEM NO.

FMCN1629

REV A