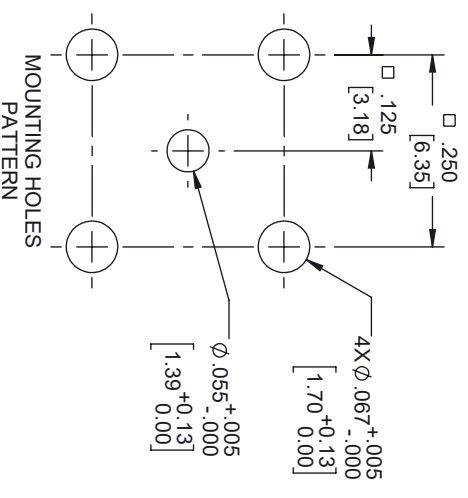
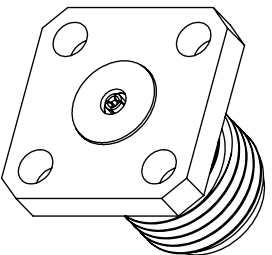
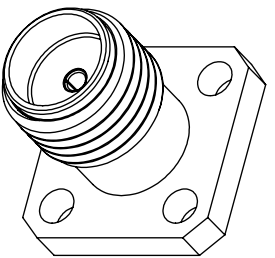
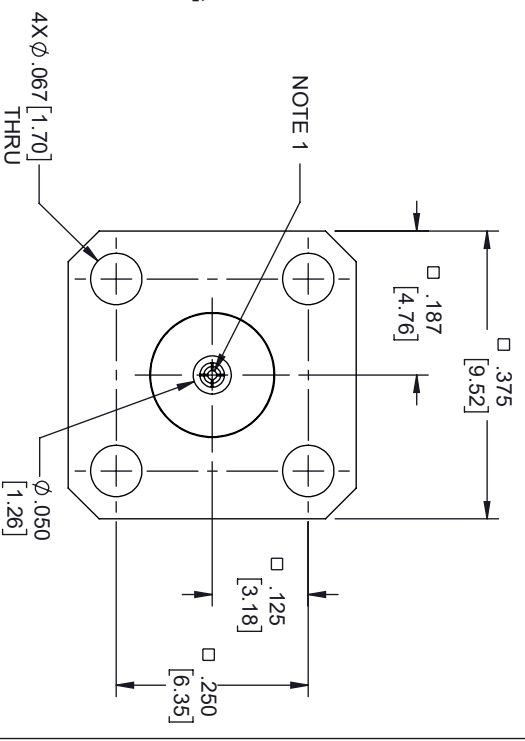
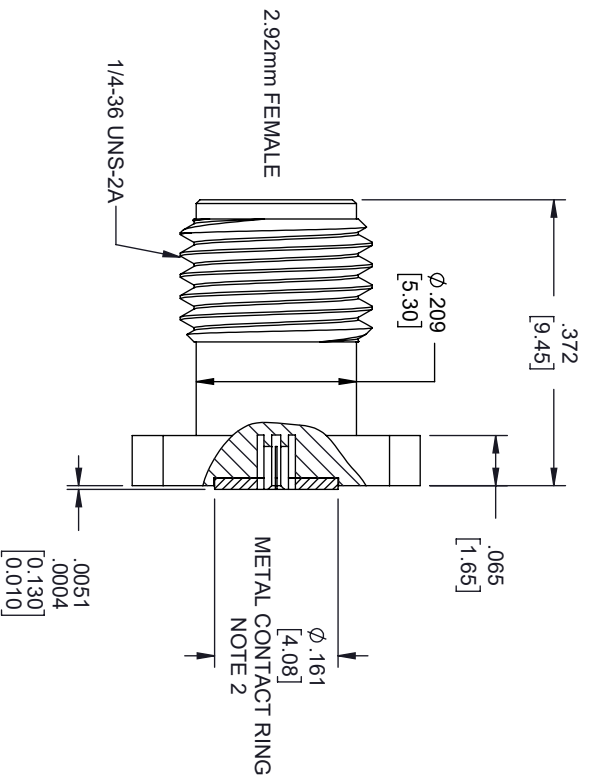


| REVISIONS | | | |
|-----------|-----------------|------------|----------|
| REV. | DESCRIPTION | DATE | APPROVED |
| A | INITIAL RELEASE | 04/07/2020 | S. ELLIS |



- NOTES:
- FEMALE CONTACT ACCEPTS PIN SIZE $\phi .012 [0.30]$ TYP. $.071 [1.80]$ MAX.
 - SEPARATE METAL CONTACT RING.

THESE COMMODITIES, TECHNOLOGY OR SOFTWARE WERE EXPORTED FROM THE UNITED STATES IN ACCORDANCE WITH THE EXPORT ADMINISTRATION REGULATIONS, DIVERSION CONTRARY TO U.S. LAW PROHIBITED.



TITLE

| | | | | | |
|---|-----------|---|----------|---|--|
| UNLESS OTHERWISE SPECIFIED LEADING DIMENSIONS ARE INCHES DIMENSIONS IN [] ARE MILLIMETERS | | | | THIRD-ANGLE PROJECTION | |
| TOLERANCES: | | | | THE INFORMATION AND DESIGN IN THIS DOCUMENT IS THE PROPERTY OF FAIRVIEW MICROWAVE CORPORATION. ALL RIGHTS RESERVED. | |
| DIMENSIONS IN [] ARE MILLIMETERS | | CABLE LENGTH (L) TOLERANCES: | | SHEET 1 OF 1 | |
| X = ±.2 [5.08] | | FRACTIONS ±.1/32 | | SCALE N/A | |
| XX = ±.02 [.51] | | L ±.12 [3.05] = +.125/-.0 | | REV A | |
| XXX = ±.005 [0.13] | | 60 [1524] < L ≤ 120 [3048] = +.4 [102] /-.0 | | | |
| | | 120 [3048] < L ≤ 300 [7620] = +6 [152] /-.0 | | | |
| | | 300 [7620] < L = +5% L /-.0 | | | |
| ALL DIMENSIONS SHOWN ARE FOR REFERENCE ONLY. | | | | | |
| SIZE | GAGE CODE | DRAWN BY | ITEM NO. | REV | |
| A | 3FKRS | DZINN | FMCN1641 | | |