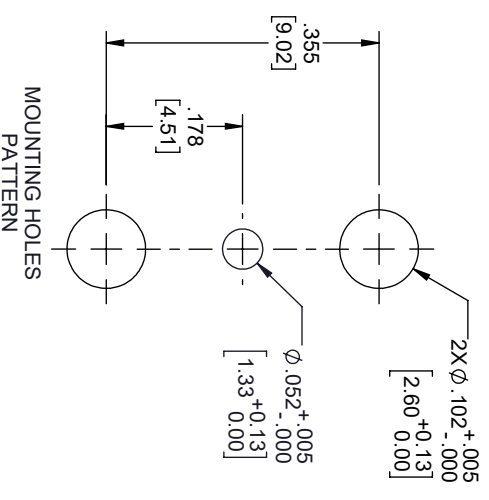
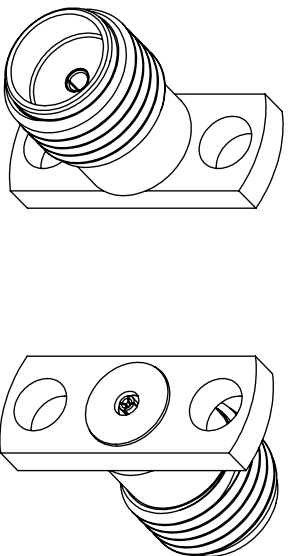
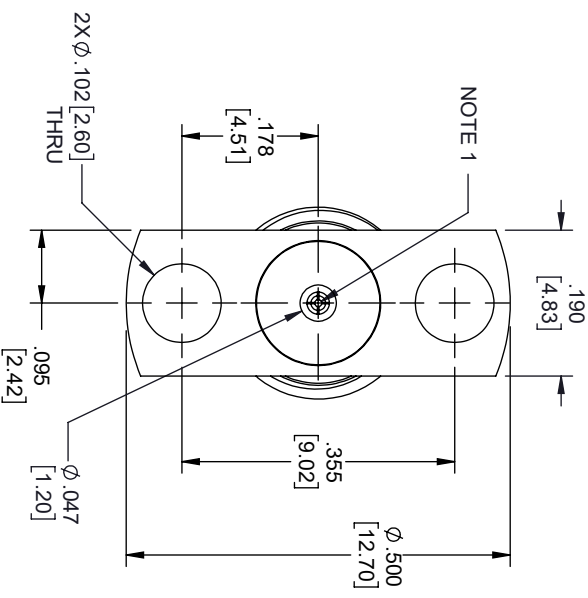
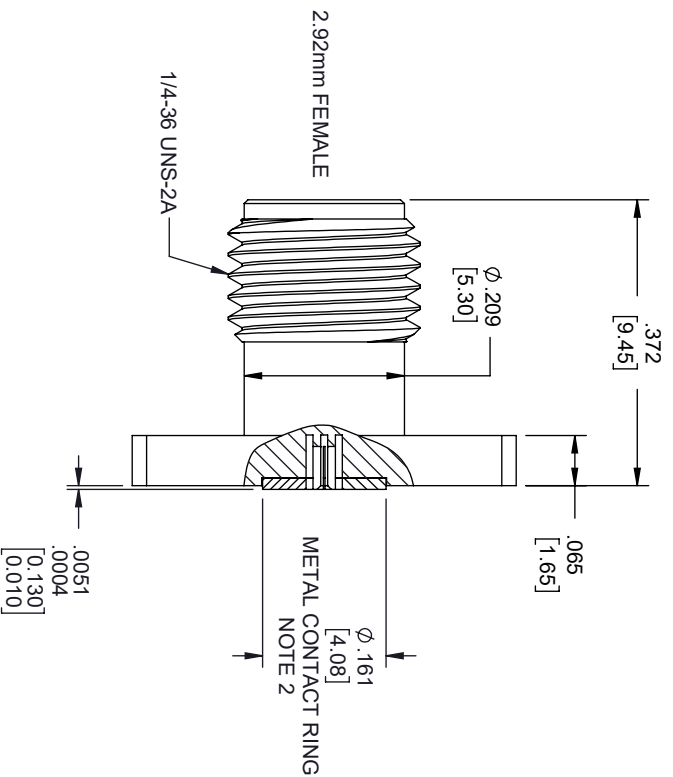


| REVISIONS | | | |
|-----------|-----------------|------------|----------|
| REV. | DESCRIPTION | DATE | APPROVED |
| A | INITIAL RELEASE | 04/06/2020 | S. ELLIS |



- NOTES:
- FEMALE CONTACT ACCEPTS PIN SIZE Ø .009 [0.23] T. .071 [1.80] MAX.
 - SEPARATE METAL CONTACT RING.

THESE COMMODITIES, TECHNOLOGY OR SOFTWARE WERE EXPORTED FROM THE UNITED STATES IN ACCORDANCE WITH THE EXPORT ADMINISTRATION REGULATIONS, DIVERSION CONTRARY TO U.S. LAW PROHIBITED.



TITLE

UNLESS OTHERWISE SPECIFIED LEADING DIMENSIONS ARE INCHES
DIMENSIONS IN [] ARE MILLIMETERS

THIRD-ANGLE PROJECTION

TOLERANCES:
FRACTIONS
X = ±.2 [5.08]
XX = ±.02 [.51]
XXX = ±.005 [.13]
ANGLES ± 1°

THE INFORMATION AND DESIGN IN THIS DOCUMENT IS THE PROPERTY OF FAIRVIEW MICROWAVE CORPORATION. ALL RIGHTS RESERVED.

| | | | | | |
|------|-----------|----------|----------|-------|-----|
| SIZE | GAGE CODE | DRAWN BY | ITEM NO. | SCALE | REV |
| A | 3FKRS | DZINN | FMCN1652 | N/A | A |