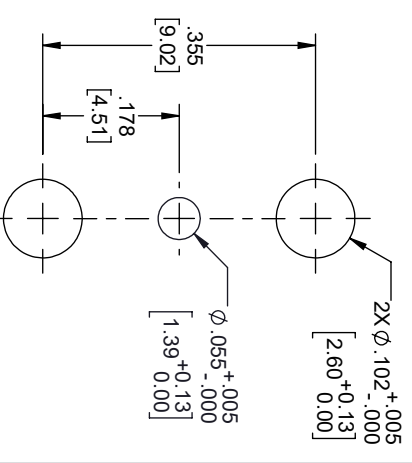
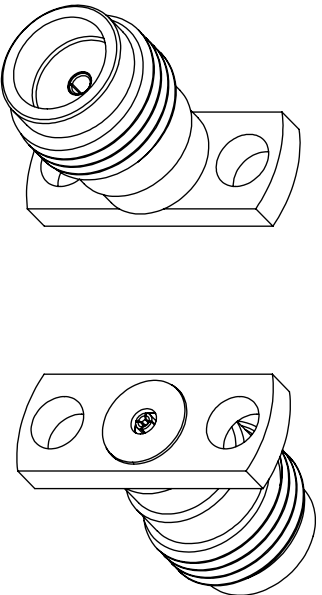
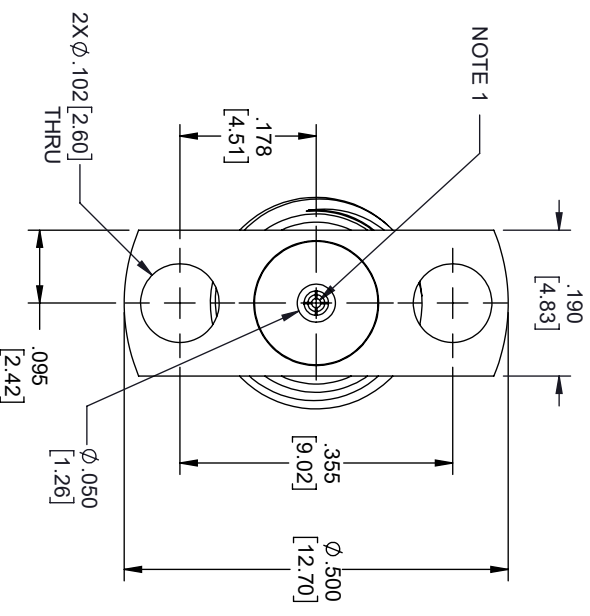
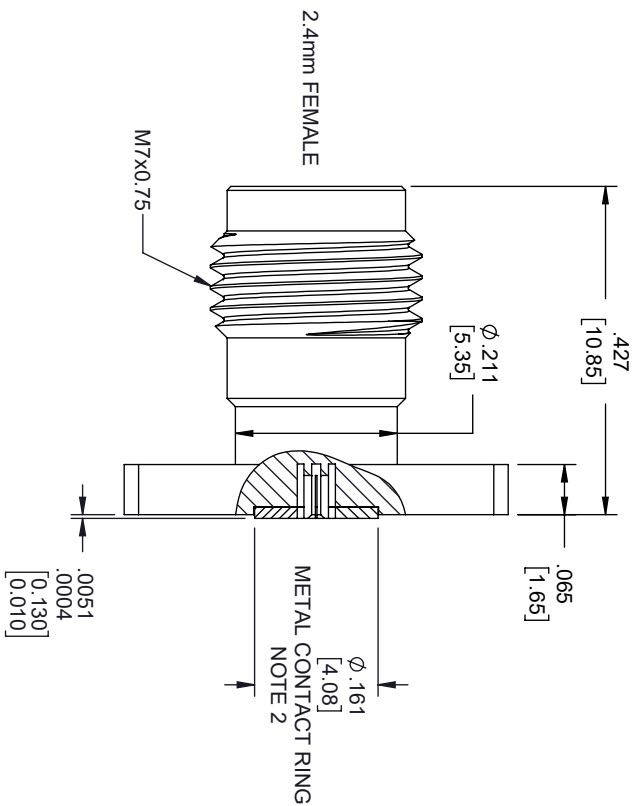


REVISIONS			
REV.	DESCRIPTION	DATE	APPROVED
A	INITIAL RELEASE	04/03/2020	S. ELLIS



- NOTES:
- FEMALE CONTACT ACCEPTS PIN SIZE ϕ .012 [0.30] ∇ .071 [1.80] MAX.
 - SEPARATE METAL CONTACT RING.

THESE COMMODITIES, TECHNOLOGY OR SOFTWARE WERE EXPORTED FROM THE UNITED STATES IN ACCORDANCE WITH THE EXPORT ADMINISTRATION REGULATIONS, DIVERSION CONTRARY TO U.S. LAW PROHIBITED.



TITLE

UNLESS OTHERWISE SPECIFIED LEADING DIMENSIONS ARE INCHES				THIRD-ANGLE PROJECTION	
DIMENSIONS IN [] ARE MILLIMETERS					
TOLERANCES:				THE INFORMATION AND DESIGN IN THIS DOCUMENT IS THE PROPERTY OF FAIRVIEW MICROWAVE CORPORATION. ALL RIGHTS RESERVED.	
FRACTIONS		CABLE LENGTH (L) TOLERANCES:		SHEET	
X = +.2	[5.08]	12 [305] < L ≤ 60 [1524] = +.2 [51] / -0	L ± 12 [305] = +1 [25] / -0	OF	
XX = +.02	[.51]	60 [1524] < L ≤ 120 [3048] = +.4 [102] / -0	60 [1524] < L ≤ 120 [3048] = +.4 [102] / -0	1	
XXX = ±.005	[.13]	120 [3048] < L ≤ 300 [7620] = +6 [152] / -0	120 [3048] < L ≤ 300 [7620] = +6 [152] / -0	1	
ANGLES ± 1°				SCALE	
300 [7620] < L = +5% / -0				N/A	
ALL DIMENSIONS SHOWN ARE FOR REFERENCE ONLY.					
SIZE	GAGE CODE	DRAWN BY	ITEM NO.	REV	REV
A	3FKRS	DZINN	FMCN1673		A