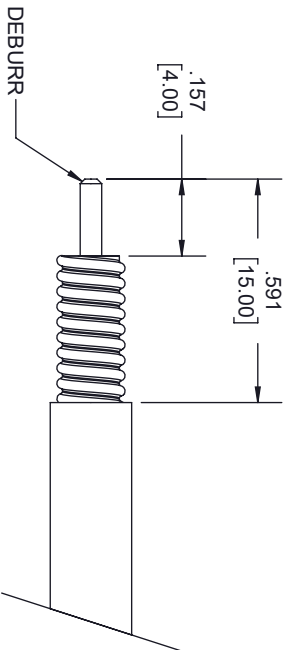
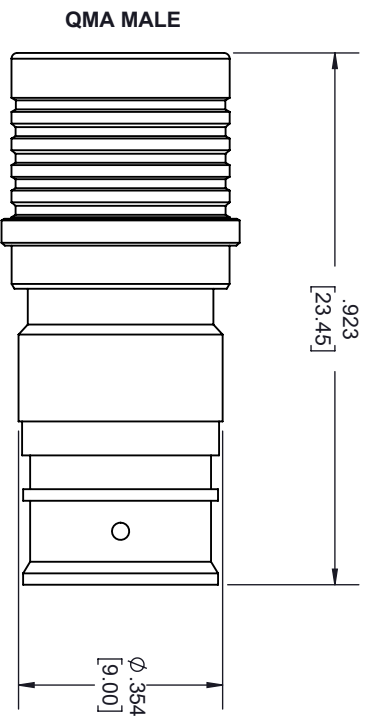
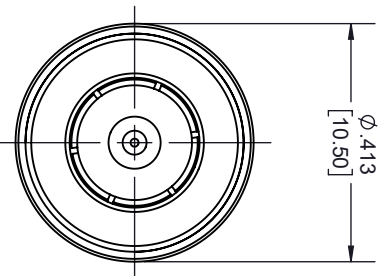
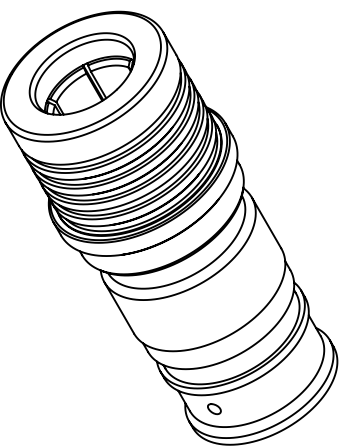


REVISIONS			
REV.	DESCRIPTION	DATE	APPROVED
A	INITIAL RELEASE	1/18/2021	S. ELLIS



STRIPPING DIMENSIONS

- NOTES:
- CABLE ATTACHMENT:
 - OUTER: SOLDER.
 - INNER: SOLDER.



THESE COMMODITIES, TECHNOLOGY OR SOFTWARE WERE EXPORTED FROM THE UNITED STATES IN ACCORDANCE WITH THE EXPORT ADMINISTRATION REGULATIONS, DIVERSION CONTRARY TO U.S. LAW PROHIBITED.



TITLE

UNLESS OTHERWISE SPECIFIED LEADING DIMENSIONS ARE INCHES				THIRD-ANGLE PROJECTION			
DIMENSIONS IN [] ARE MILLIMETERS							
TOLERANCES:				THE INFORMATION AND DESIGN IN THIS DOCUMENT IS THE PROPERTY OF FAIRVIEW MICROWAVE CORPORATION. ALL RIGHTS RESERVED.			
CABLE LENGTH (L) TOLERANCES:		L ± 1/2 (806) = +1/2 (51) / -0		SCALE		N/A	
X = ±.2	[5.08]	FRACTIONS	12 (305) < L ≤ 60 (1524) = +2 (51) / -0	SHEET		OF	
XX = ±.02	[.51]	± 1/32	60 (1524) < L ≤ 120 (3048) = +4 (102) / -0	1		1	
XXX = ±.005	[.13]	ANGLES ± 1°	120 (3048) < L ≤ 300 (7620) = +6 (152) / -0	1		1	
300 (7620) < L = +5% / -0				ALL DIMENSIONS SHOWN ARE FOR REFERENCE ONLY.			
SIZE	GAGE CODE	DRAWN BY	ITEM NO.	REV			
A	3FKR5	K.DANG	FMCN1722	A			